

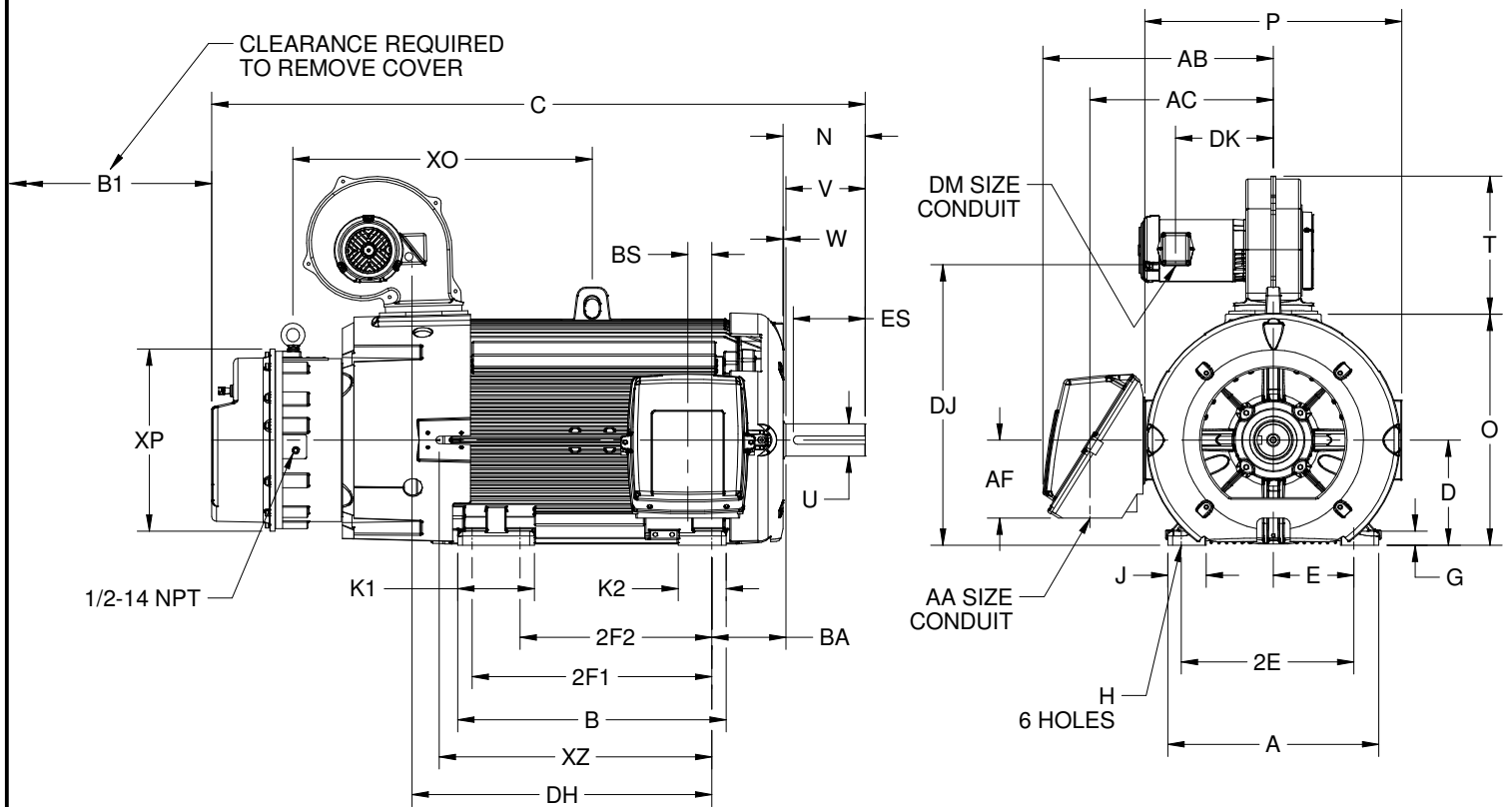
EFFECTIVE:  
**24-JAN-17**

**DIMENSION PRINT**  
TEBC (RADIAL) W/ BRAKE  
FRAME: 449  
BASIC TYPE: JB,JCB

PRINT:  
**07-3284**

SUPERSEDES:  
**NEW**

SHEET:  
**1 OF 1**



ALL DIMENSIONS ARE IN INCHES AND MILLIMETERS

UNITS	A	B	B1	D	E	2E	2F1	2F2	G	H	J
IN	22.00	28.00	6.00	11.00	9.00	18.00	25.00	20.00	1.50	.81	4.00
MM	559	711	152	279	229	457	635	508	38	21	102

UNITS	K1	K2	O	P <sup>2</sup>	T	AB	AC	AF	BA	BS	DH
IN	8.00	5.00	24.06	26.50	14.31	24.25	18.53	8.06	7.50	2.50	31.25
MM	203	127	611	673	363	616	471	205	191	64	794

UNITS	DJ	DK	DM	XO	XP	XZ
IN	29.19	10.22	.75	31.19	19.00	44.44
MM	741	260		792	483	1129

FRAME	UNITS	C	N	U	V	W	ES	SQ
449T	IN	68.19	8.94	3.375	8.25	.44	7.00	.875
	MM	1732	227	85.73	210	11	178	22.23
449TL	IN	70.19	10.63	4.375	10.25	.12	8.50	1.000
	MM	1783	270	111.13	260	3	216	25.40
449TM	IN	64.44	5.19	2.875	4.50	.44	3.63	.750
	MM	1637	132	73.03	114	11	92	19.05
449TS	IN	64.44	5.19	2.375	4.50	.44	3.13	.625
	MM	1637	132	60.33	114	11	80	15.88

AA
2 NPT
2 1/2 NPT
3 NPT
3 1/2 NPT
4 NPT

1. DIMENSIONS MAY VARY BY .25" DUE TO CASTING AND/OR FABRICATION VARIATIONS.
2. LARGEST MOTOR WIDTH.
3. STANDARD ASSEMBLY POSITION F-1 IS SHOWN. F-2 IS PROVIDED WHEN SPECIFIED. CONDUIT OPENINGS MAY BE LOCATED IN STEPS OF 90 DEGREES REGARDLESS OF LOCATION. STANDARD AS SHOWN WITH CONDUIT OPENING DOWN.
4. TOLERANCES SHOWN ARE IN INCHES ONLY.

NOTE: THIS DIMENSION PRINT IS GOOD FOR STEARNS SERIES 1-086-0XX-02, IP54 ENCLOSURE, RANGING FROM 500 THRU 1000 LB-FT.

**Nidec Motor Corporation**  
St. Louis, Missouri

INFORMATION DISCLOSED ON THIS DOCUMENT IS CONSIDERED PROPRIETARY AND SHALL NOT BE REPRODUCED OR DISCLOSED WITHOUT WRITTEN CONSENT OF NIDEC MOTOR CORPORATION



ISSUED BY  
**O. RODRIGUEZ**  
APPROVED BY  
**T. PALLETT**

IHP\_DP\_NMCA (MAR-2011) SOLIDEDGE