

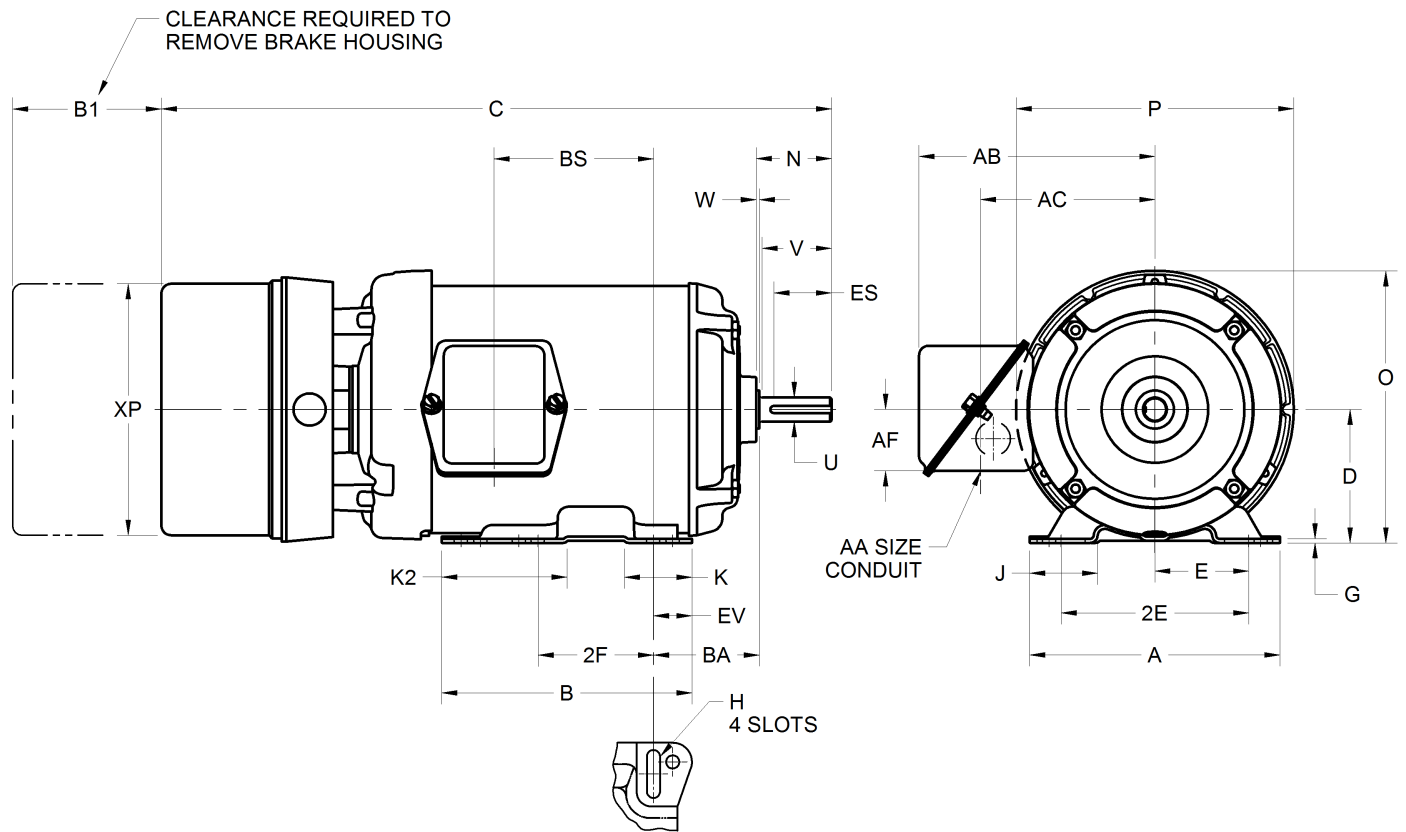
EFFECTIVE:
05-AUG-16

SUPERSEDES:
NEW

DIMENSION PRINT
TEFC - WITH STEARNS BRAKE
FRAME: 140T
BASIC TYPE: UT

PRINT:
07-3288

SHEET:
1 OF 1



ALL DIMENSIONS ARE IN INCHES AND MILLIMETERS

UNITS	A	B	D -.06	E	2F ±.03	G	H +.05	J	K	K2	N	O
IN	6.50	6.50	3.50	2.44	3.00	.13	.34 X 1.25	1.75	1.75	3.25	2.30	7.16
MM	165	165	89	62	76	3		44	44	83	58	182

UNITS	P ²	U -.0005	V MIN	W	AA ³	AB	AC	AF	BA	BS	B1	ES MIN
IN	7.25	.8750	2.00	.05	.75	6.13	4.53	1.59	2.75	4.14	2.94	1.53
MM	184	22.225	51	1		156	115	40	70	105	75	39

UNITS	EV	XP	SQ KEY
IN	1.00	6.54	.188
MM	25	166	4.78

FRAME	UNITS	C	2F ±.03
143T	IN	17.41	4.88
	MM	442	124
145T	IN	17.41	5.88
	MM	442	149

NOTE:

THIS PRINT IS GOOD FOR MOTORS WITH STEARNS BRAKE 56.3XX SERIES, (NEMA 1) ENCLOSURE RANGING FROM 1.5 THRU 15 LB. FT.

1. DIMENSIONS MAY VARY .25" DUE TO CASTING AND/OR FABRICATION VARIATIONS
2. LARGEST MOTOR WIDTH
3. BASIC CONDUIT FITTING SIZE. HOLE OPENING ON THE SIDE OF THE CONDUIT BOX (REPRESENTED BY A DASHED CIRCLE) WILL ACCEPT A .50 BASIC CONDUIT FITTING
4. THE CONDUIT BOX MAY BE LOCATED ON EITHER SIDE OF THE MOTOR. THE CONDUIT OPENING(S) MAY BE LOCATED IN STEPS OF 180° REGARDLESS OF LOCATION. STANDARD LOCATION IS SHOWN WITH THE CONDUIT OPENING DOWN
5. TOLERANCES ARE SHOWN IN INCHES ONLY
6. FRAME REFERENCE; 6.75/143/145

07-3122/-

Nidec Motor Corporation
St. Louis, Missouri

INFORMATION DISCLOSED ON THIS DOCUMENT IS CONSIDERED PROPRIETARY AND SHALL NOT BE REPRODUCED OR DISCLOSED WITHOUT WRITTEN CONSENT OF NIDEC MOTOR CORPORATION



ISSUED BY
F. CRUZ
APPROVED BY
E. ROBINSON

IHP_DP_NMCA (MAR-2011) SOLIDEDGE