

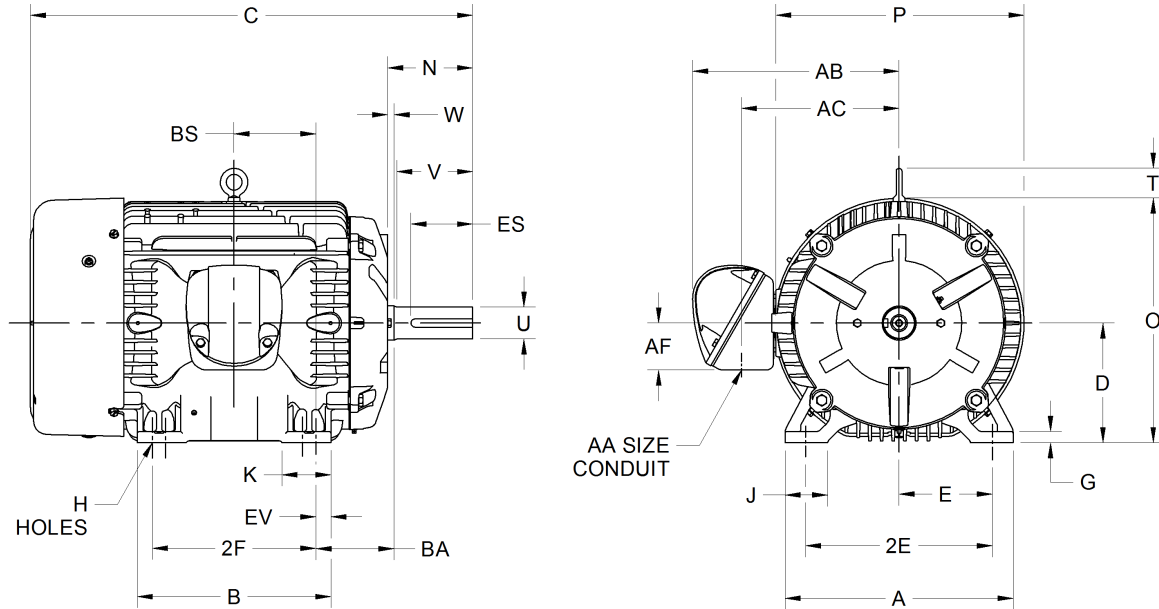
EFFECTIVE:
18-OCT-16

SUPERSEDES:
NEW

DIMENSION PRINT
CAST IRON
FRAME: 320T
BASIC TYPE: TC, CE

PRINT:
07-3300

SHEET:
1 OF 1



ALL DIMENSIONS ARE IN INCHES AND MILLIMETERS

UNITS	A	B	C	D -.06	E	2E ±.03	G	H +.05	J	K	N
IN	15.75	13.75	30.75	8.00	6.25	12.50	.75	.66	3.19	3.25	5.75
MM	400	349	781	203	159	318	19	17	81	83	146

UNITS	N-W	O	P ²	T	U -.001	V MIN	W	AA	AB	AC	AF
IN	5.25	16.50	17.19	2.25	2.125	5.00	.50	2 NPT	14.25	10.75	3.25
MM	133	149	437	57	53.98	127	13		362	273	83

UNITS	BA ±.09	BS	ES MIN	EV	SQ KEY
IN	5.25	6.00	3.91	.88	.500
MM	133	152	99	22	12.70

FRAME	UNITS	2F ±.03
324T	IN	10.50
	MM	267
326T	IN	12.00
	MM	305

1. DIMENSIONS MAY VARY .25" DUE TO CASTING AND/OR FABRICATION VARIATIONS.
2. LARGEST MOTOR WIDTH
3. TOLERANCES ARE SHOWN IN INCHES.
4. CONDUIT BOX MAY BE LOCATED ON EITHER SIDE OF MOTOR. CONDUIT OPENINGS MAY BE LOCATED IN STEPS OF 90 DEGREES REGARDLESS OF LOCATION. STANDARD AS SHOWN WITH CONDUIT OPENING DOWN.

07-3300/-

Nidec Motor Corporation
St. Louis, Missouri

INFORMATION DISCLOSED ON THIS DOCUMENT IS CONSIDERED PROPRIETARY AND SHALL NOT BE REPRODUCED OR DISCLOSED WITHOUT WRITTEN CONSENT OF NIDEC MOTOR CORPORATION



ISSUED BY
G. MARTINEZ
APPROVED BY
M. OLVERA

IHP_DP_NMCA (MAR-2011) SOLIDEDGE