

EFFECTIVE:  
**21-JAN-19**

# HORIZONTAL MOTORS

TEFC - HLL AND VLL

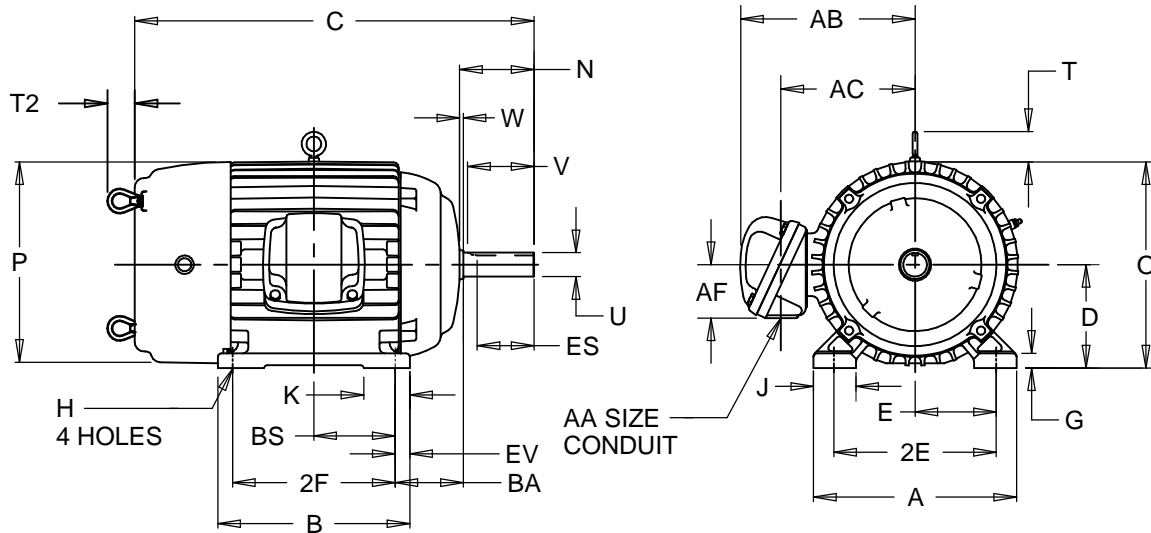
FRAME: 324, 326T

BASIC TYPE: CE

PRINT:  
**07-3372-01**

SUPERSEDES:  
**NEW**

SHEET:  
**1 OF 1**



ALL DIMENSIONS ARE IN INCHES AND MILLIMETERS

UNITS	A	B	C	D -.06	E	2E ±.03	G	H +.05	J	K	N
IN	15.75	15.00	30.69	8.00	6.25	12.50	1.13	.66	3.25	4.65	5.63
MM	400	381	780	203	159	318	29	17	83	118	143

UNITS	O	P <sup>2</sup>	T1	T2	U -.001	V MIN	W	AA	AB	AC	AF
IN	16.38	16.75	2.03	1.50	2.125	5.00	.38	2.00 NPT	14.26	10.76	3.25
MM	416	425	52	38	53.98	127	10		362	273	83

UNITS	BA	BS	ES MIN	EV	SQ KEY
IN	5.25	6.00	3.91	1.50	.500
MM	133	152	99	38	12.70

FRAME	UNITS	2F ±.03
324T	IN	10.50
	MM	267
326T	IN	12.00
	MM	305

1: ALL ROUGH CASTING DIMENSIONS MAY VARY BY .25" DUE TO CASTING AND/OR FABRICATION VARIATIONS.  
2: LARGEST MOTOR WIDTH.  
3: TOLERANCES SHOWN ARE IN INCHES ONLY.

4: STANDARD ASSEMBLY POSITION F-1 IS SHOWN F-2 IS PROVIDED WHEN SPECIFIED. CONDUIT OPENINGS MAY BE LOCATED IN STEPS OF 90 DEGREES REGARDLESS OF LOCATION. STANDARD AS SHOWN WITH CONDUIT OPENING DOWN.

07-3372-01/-

**Nidec Motor Corporation**  
St. Louis, Missouri

INFORMATION DISCLOSED ON THIS DOCUMENT IS CONSIDERED PROPRIETARY AND SHALL NOT BE REPRODUCED OR DISCLOSED WITHOUT WRITTEN CONSENT OF NIDEC MOTOR CORPORATION



ISSUED BY  
**R. TIMMERMANN**  
APPROVED BY  
**K. MERTENS**

IHP\_DP\_NMCA (MAR-2011) SOLIDEDGE