

EFFECTIVE:  
**27-MAR-19**

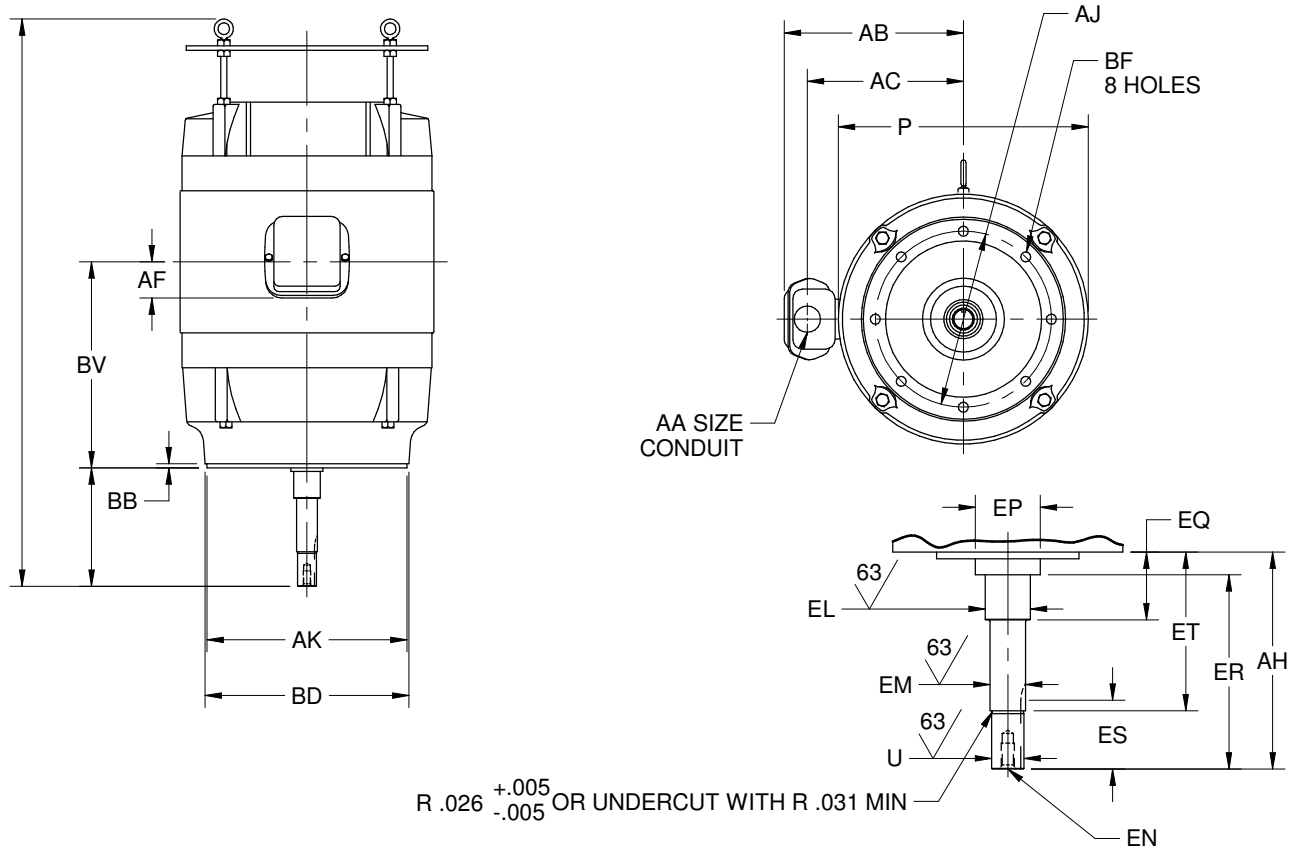
**DIMENSION PRINT**  
CLOSE-COUPLED PUMP MOTOR-VERTICAL MOUNTING, OVERSIZE O/B

PRINT:  
**07-3396**

SUPERSEDES:  
**NEW**

FRAME: 360JPV  
BASIC TYPE: RF-1, FRF-1

SHEET:  
**1 OF 1**



ALL DIMENSIONS ARE IN INCHES AND MILLIMETERS

UNITS	C	P <sup>2</sup>	U -.0005	AA	AB	AC	AF	AH ±.031	AJ	AK -.005	BB -.062	BD MAX
IN	30.50	17.25	1.625	3.00	16.60	12.31	4.72	8.156	11.000	12.500	.313	14.00
MM	775	438	41.28		422	313	120	207.16	279.40	317.50	7.95	356

UNITS	BF <sup>3</sup>	EL -.002	EM -.0005	EN <sup>3</sup>	EP MIN	EQ ±.015	ER MIN	ES MIN	ET ±.020	SQ KEY
IN	5/8-11 X .94	2.125	1.7500	1/2-13X1.00	2.50	2.395	8.13	2.53	5.895	.375
MM		53.98	44.450		64	60.83	206	64	149.73	9.53

FRAME	UNITS	BV
364JPV	IN	11.75
	MM	298
365JPV	IN	12.25
	MM	311

TOLERANCES	
FACE RUNOUT	.007 T.I.R.
PERMISSIBLE ECCENTRICITY OF MOUNTING RABBET	.007 T.I.R.
PERMISSIBLE SHAFT RUNOUT	.003 T.I.R.

1. ALL ROUGH DIMENSIONS MAY VARY BY .25" DUE TO CASTING AND/OR FABRICATION VARIATIONS.
2. LARGEST MOTOR WIDTH.
3. TAP SIZE AND BOLT PENETRATION ALLOWANCE.
4. ALL TAPPED HOLES ARE UNIFIED NATIONAL COARSE, RIGHT HAND THREAD.
5. CONDUIT BOX MAY BE LOCATED ON EITHER SIDE. CONDUIT OPENINGS MAY BE LOCATED IN STEPS OF 90 DEGREES REGARDLESS OF LOCATION. STANDARD AS SHOWN WITH CONDUIT OPENING DOWN.
6. TOLERANCES SHOWN ARE IN INCHES ONLY.

**Nidec Motor Corporation**  
St. Louis, Missouri

INFORMATION DISCLOSED ON THIS DOCUMENT  
IS CONSIDERED PROPRIETARY AND SHALL NOT BE  
REPRODUCED OR DISCLOSED WITHOUT WRITTEN  
CONSENT OF NIDEC MOTOR CORPORATION



ISSUED BY  
**R. LOPEZ**  
APPROVED BY  
**G. GARCIA**

IHP\_DP\_NMCA (MAR-2011) SOLIDEDGE