

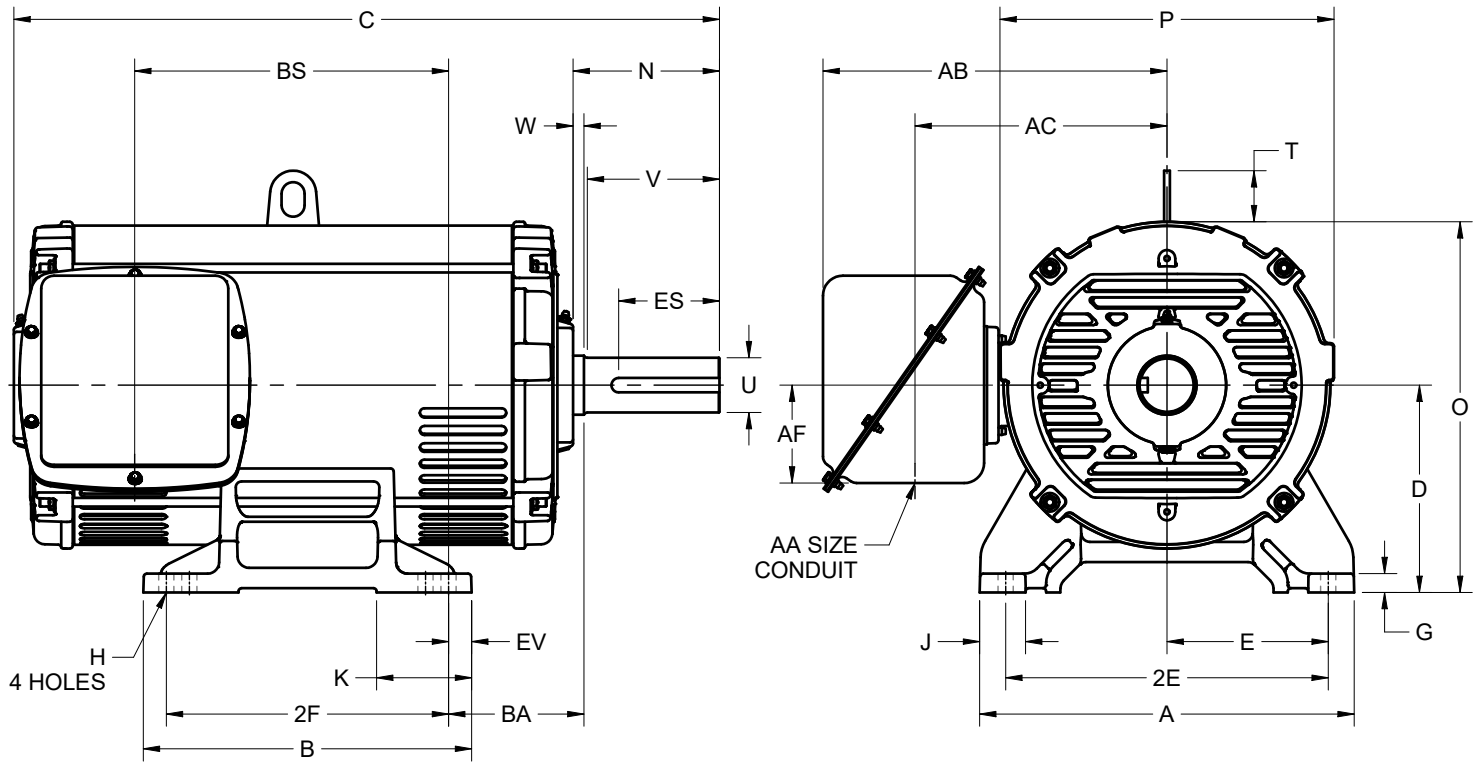
EFFECTIVE:  
**08-NOV-19**

SUPERSEDES:  
**NEW**

**DIMENSION PRINT**  
OPEN DRIP PROOF  
FRAME: 364, 365T  
BASIC TYPE: FD, DE, DI

PRINT:  
**07-3402**

SHEET:  
**1 OF 1**



ALL DIMENSIONS ARE IN INCHES AND MILLIMETERS

UNITS	A	B	D -.06	E	2E ±.03	G	H +.05	J	K	N	O	P <sup>2</sup>
IN	16.25	14.25	9.00	7.00	14.00	.81	.66	2.00	4.13	6.38	16.09	14.50
MM	413	362	229	178	356	21	17	51	105	162	409	368

UNITS	T	U -.001	V MIN	W	AA	AB	AC	AF	BA	ES MIN	EV	SQ KEY
IN	2.22	2.375	5.62	.47	3.00	14.94	10.94	4.25	5.88	4.28	1.00	.625
MM	56	60.33	143	12		379	278	108	149	109	25	15.88

FRAME	UNITS	2F ±.03	C	BS
364T (4 POLE)	IN	11.25	28.63	11.63
	MM	286	727	295
365T (4 POLE)	IN	12.25	30.63	13.63
	MM	311	778	346
364T (6 AND 8 POLE)	IN	11.25	30.63	13.63
	MM	286	778	346
365T (6 AND 8 POLE)	IN	12.25	30.63	13.63
	MM	311	778	346

1. DIMENSIONS MAY VARY .25" DUE TO CASTING AND/OR FABRICATION VARIATIONS
2. LARGEST MOTOR WIDTH
3. THE CONDUIT BOX MAY BE LOCATED ON EITHER SIDE OF THE MOTOR. THE CONDUIT OPENINGS MAY BE LOCATED IN STEPS OF 90° REGARDLESS OF LOCATION. STANDARD LOCATION IS SHOWN WITH THE CONDUIT OPENING DOWN
4. TOLERANCES ARE SHOWN IN INCHES ONLY
5. FRAME REFERENCE: 17.500/364//19.500/365

07-3402/-

**Nidec Motor Corporation**  
St. Louis, Missouri

INFORMATION DISCLOSED ON THIS DOCUMENT IS CONSIDERED PROPRIETARY AND SHALL NOT BE REPRODUCED OR DISCLOSED WITHOUT WRITTEN CONSENT OF NIDEC MOTOR CORPORATION



ISSUED BY  
**R. TIMMERMANN**  
APPROVED BY  
**P. HOGG**

IHP\_DP\_NMCA (MAR-2011) SOLIDEDGE