

EFFECTIVE:
13-JAN-23

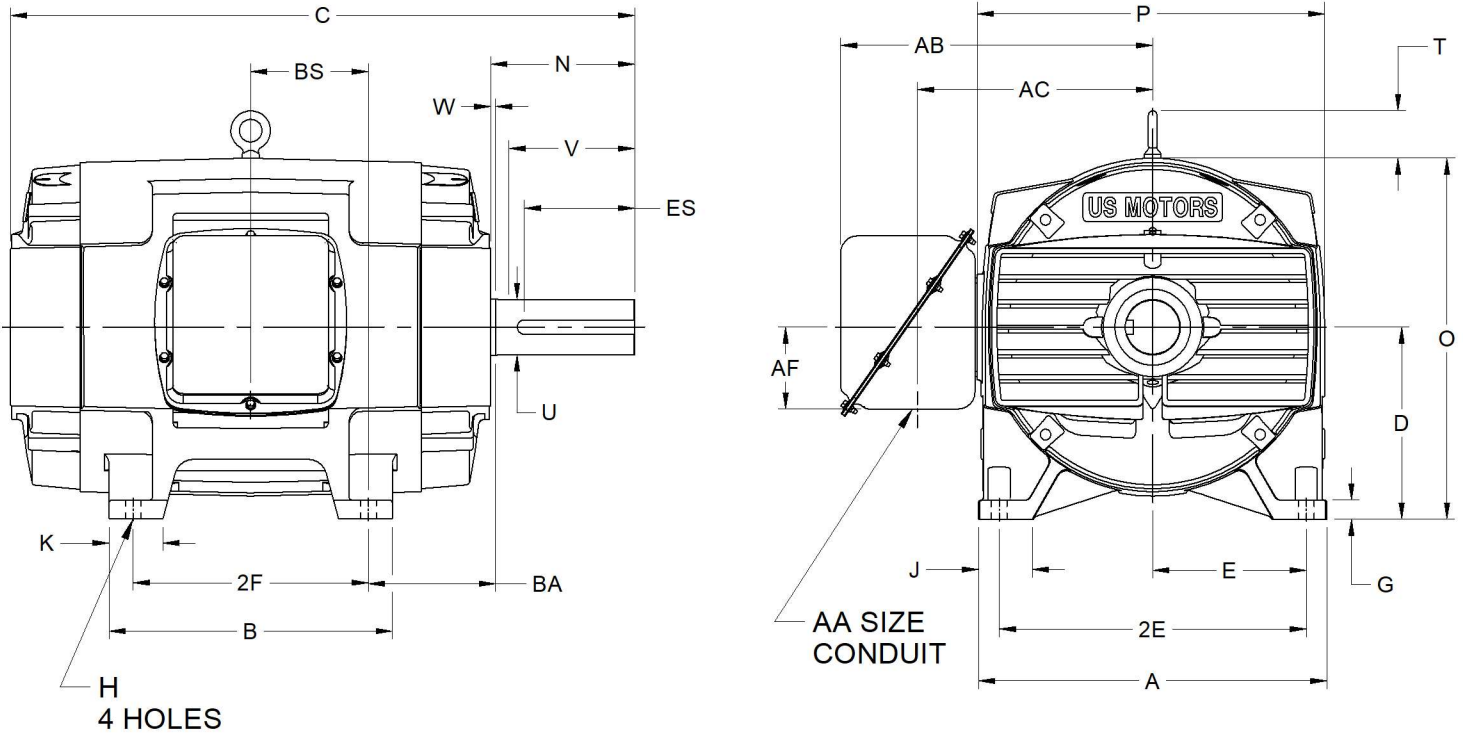
DIMENSION PRINT
OPEN DRIP PROOF-WITH WORLD MOTOR O/B

PRINT:
07-3549

SUPERSEDES:
NEW

FRAME: 400T
BASIC TYPE: R

SHEET:
1 OF 1



ALL DIMENSIONS ARE IN INCHES AND MILLIMETERS

UNITS	A	D -.06	E	2E ±.03	G	H +.05	J	K	N	O	P ²
IN	18.00	10.00	8.00	16.00	1.00	.81	2.88	2.78	7.50	18.78	17.88
MM	457	254	203	406	25	21	73	71	191	477	454

UNITS	T	U -.001	V MIN	W	AA	AB	AC	AF	BA	ES MIN	SQ KEY
IN	2.50	2.875	7.00	.25	3.00	16.28	12.29	4.25	6.63	5.65	.750
MM	64	73.03	178	6		413	312	108	168	144	19.05

FRAME	UNITS	B	C	BS	2F ±.03
404T	IN	14.75	32.50	6.13	12.25
	MM	375	826	156	311
405T	IN	16.25	34.00	6.88	13.75
	MM	413	864	175	349

1. ALL ROUGH DIMENSIONS MAY VARY BY .25" DUE TO CASTING AND/OR FABRICATION VARIATIONS.
2. LARGEST MOTOR WIDTH.
3. TOLERANCE UNITS ARE IN INCHES ONLY.

4. STANDARD ASSEMBLY POSITION F-1 IS SHOWN. F-2 IS PROVIDED WHEN SPECIFIED. CONDUIT OPENINGS MAY BE LOCATED IN STEPS OF 90° REGARDLESS OF LOCATION. STANDARD AS SHOWN WITH CONDUIT OPENING DOWN.

07-3549/-

Nidec Motor Corporation
St. Louis, Missouri

INFORMATION DISCLOSED ON THIS DOCUMENT IS CONSIDERED PROPRIETARY AND SHALL NOT BE REPRODUCED OR DISCLOSED WITHOUT WRITTEN CONSENT OF NIDEC MOTOR CORPORATION



ISSUED BY
D. CISNEROS
APPROVED BY
E. OVIEDO

IHP_DP_NMCA (MAR-2011) SOLIDEDGE