

EFFECTIVE:  
**29-DEC-16**

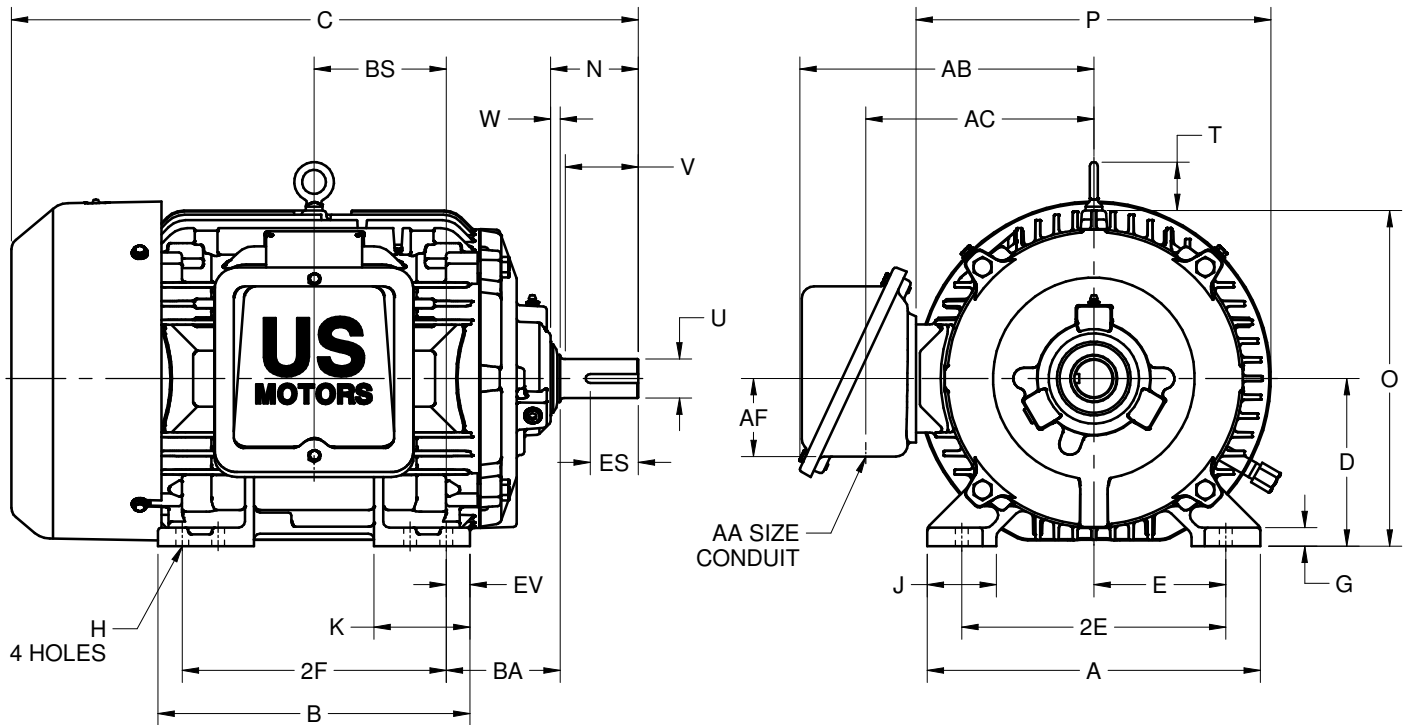
**DIMENSION PRINT**  
WORLD MOTOR HOSTILE DUTY WITH CAST IRON OUTLET BOX

PRINT:  
**08-1004-01**

SUPERSEDES:  
**NEW**

FRAME: 284TS, 286TS  
BASIC TYPE: CT

SHEET:  
**1 OF 1**



ALL DIMENSIONS ARE IN INCHES AND MILLIMETERS

| UNITS | A     | B     | C     | D<br>-.06 | E    | 2E<br>±.03 | G   | H<br>+.05 | J    | K    | N    | O     | P <sup>2</sup> |
|-------|-------|-------|-------|-----------|------|------------|-----|-----------|------|------|------|-------|----------------|
| IN    | 13.88 | 13.00 | 26.13 | 7.00      | 5.50 | 11.00      | .78 | .53       | 2.88 | 4.00 | 3.66 | 14.00 | 15.00          |
| MM    | 353   | 330   | 664   | 178       | 140  | 279        | 20  | 13        | 73   | 102  | 93   | 356   | 381            |

| UNITS | T    | U<br>-.001 | V<br>MIN | W   | AA        | AB    | AC   | AF   | BA   | BS   | EV   | ES<br>MIN | SQ KEY |
|-------|------|------------|----------|-----|-----------|-------|------|------|------|------|------|-----------|--------|
| IN    | 2.03 | 1.625      | 3.00     | .41 | 1-1/2 NPT | 12.25 | 9.50 | 3.25 | 4.75 | 5.50 | 1.00 | 1.91      | .375   |
| MM    | 52   | 41.28      | 76       | 10  |           | 311   | 241  | 83   | 121  | 140  | 25   | 49        | 9.53   |

| FRAME | UNITS | 2F<br>±.03 |
|-------|-------|------------|
| 284TS | IN    | 9.50       |
|       | MM    | 241        |
| 286TS | IN    | 11.00      |
|       | MM    | 279        |

1. DIMENSIONS MAY VARY .25" DUE TO CASTING AND/OR FABRICATION VARIATIONS
2. LARGEST MOTOR WIDTH
3. STANDARD ASSEMBLY POSITION F-1 IS SHOWN. F-2 IS PROVIDED WHEN SPECIFIED. CONDUIT OPENING MAY BE LOCATED IN STEPS OF 90° REGARDLESS OF THE LOCATION
4. TOLERANCES ARE SHOWN IN INCHES ONLY

08-1004-01/-

**Nidec Motor Corporation**  
St. Louis, Missouri

INFORMATION DISCLOSED ON THIS DOCUMENT IS CONSIDERED PROPRIETARY AND SHALL NOT BE REPRODUCED OR DISCLOSED WITHOUT WRITTEN CONSENT OF NIDEC MOTOR CORPORATION



ISSUED BY  
**R. TIMMERMANN**  
APPROVED BY  
**M. CULLEN**

IHP\_DP\_NMCA (MAR-2011) SOLIDEDGE