

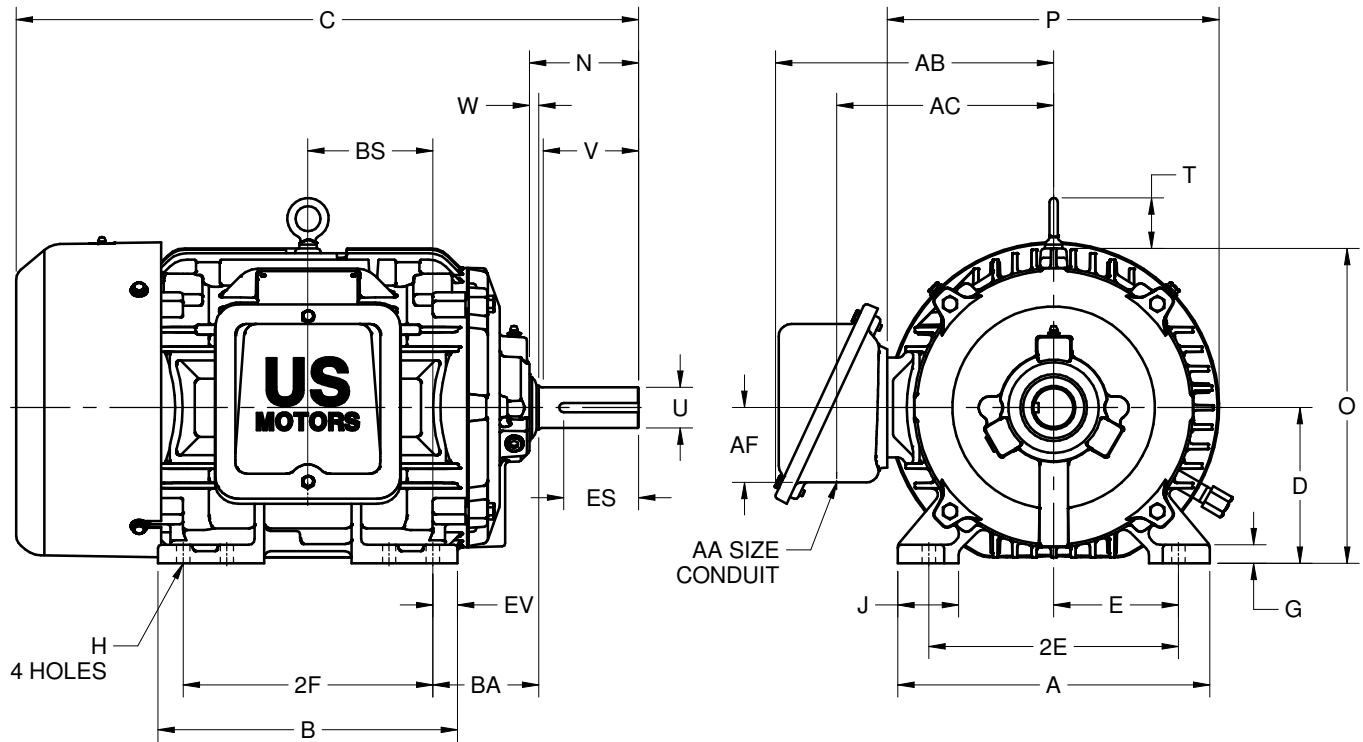
EFFECTIVE:  
**16-JAN-17**

SUPERSEDES:  
**NEW**

**DIMENSION PRINT**  
**WORLD MOTOR HOSTILE DUTY WITH CAST IRON OUTLET BOX**  
 FRAME: 254T, 256T  
 BASIC TYPE: CT

PRINT:  
**08-1012-01**

SHEET:  
**1 OF 1**



ALL DIMENSIONS ARE IN INCHES AND MILLIMETERS

UNITS	A	B	C	D -.06	E	2E ±.03	G	H +.05	J	K	N	O	P <sup>2</sup>
IN	12.50	12.00	24.94	6.25	5.00	10.00	.75	.53	2.44	4.25	4.38	12.63	13.47
MM	318	305	633	159	127	254	19	13	62	108	111	320	342

UNITS	T	U -.001	V MIN	W	AA	AB	AC	AF	BA	BS	EV	ES MIN	SQ KEY
IN	2.03	1.625	3.75	.38	1-1/4 NPT	11.13	8.66	3.00	4.25	5.00	1.00	2.91	.375
MM	52	41.28	95	10		283	220	76	108	127	25	74	9.53

FRAME	UNITS	2F ±.03
254T	IN	8.25
	MM	210
256T	IN	10.00
	MM	254

1. DIMENSIONS MAY VARY .25" DUE TO CASTING AND/OR FABRICATION VARIATIONS
2. LARGEST MOTOR WIDTH
3. STANDARD ASSEMBLY POSITION F-1 IS SHOWN. F-2 IS PROVIDED WHEN SPECIFIED. CONDUIT OPENING MAY BE LOCATED IN STEPS OF 90° REGARDLESS OF THE LOCATION
4. TOLERANCES ARE SHOWN IN INCHES ONLY

08-1012/-

**Nidec Motor Corporation**  
 St. Louis, Missouri

INFORMATION DISCLOSED ON THIS DOCUMENT  
 IS CONSIDERED PROPRIETARY AND SHALL NOT BE  
 REPRODUCED OR DISCLOSED WITHOUT WRITTEN  
 CONSENT OF NIDEC MOTOR CORPORATION



ISSUED BY  
**R. TIMMERMANN**  
 APPROVED BY  
**M. CULLEN**

IHP\_DP\_NMCA (MAR-2011) SOLIDEDGE