

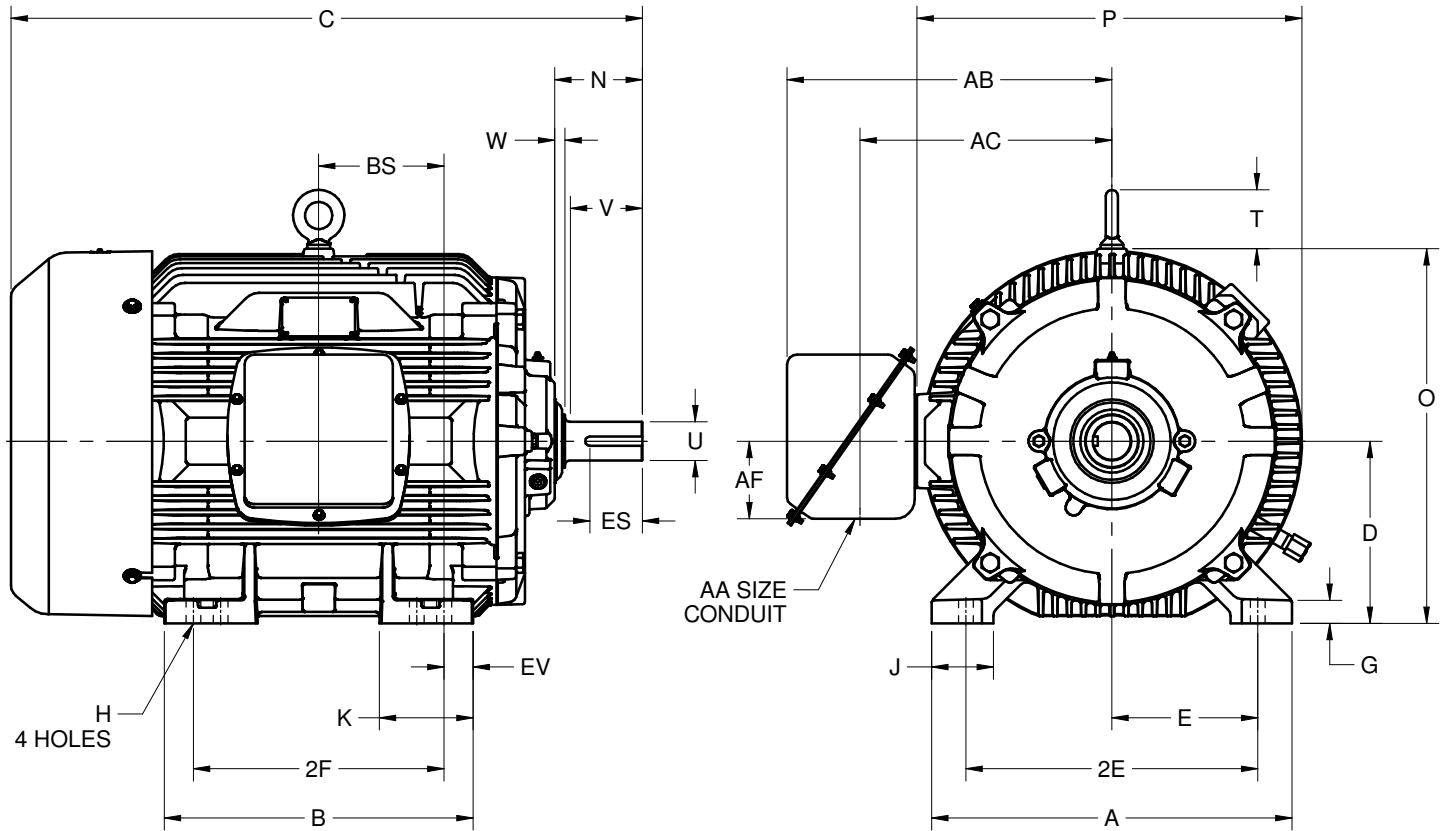
EFFECTIVE:
17-JUL-17

SUPERSEDES:
NEW

DIMENSION PRINT
WORLD MOTOR HOSTILE DUTY
FRAME: 404TS, 405TS
BASIC TYPE: CT

PRINT:
08-1062

SHEET:
1 OF 1



ALL DIMENSIONS ARE IN INCHES AND MILLIMETERS

| UNITS | A | B | C | D -.06 | E | 2E ±.03 | G | H +.05 | J | K | N | O | P ² |
|-------|-------|-------|-------|-----------|------|------------|------|-----------|------|------|------|-------|----------------|
| IN | 19.75 | 16.94 | 34.63 | 10.00 | 8.00 | 16.00 | 1.25 | .81 | 3.38 | 5.13 | 4.81 | 20.56 | 21.13 |
| MM | 502 | 430 | 880 | 254 | 203 | 406 | 32 | 21 | 86 | 130 | 122 | 522 | 537 |

| UNITS | T | U -.001 | V MIN | W | AA | AB | AC | AF | BA | BS | EV | ES MIN | SQ KEY |
|-------|------|------------|----------|-----|------|-------|-------|------|------|------|------|-----------|--------|
| IN | 3.22 | 2.125 | 4.00 | .56 | 3.00 | 17.81 | 13.81 | 4.25 | 6.62 | 6.88 | 1.59 | 2.78 | .500 |
| MM | 82 | 53.98 | 102 | 14 | | 452 | 351 | 108 | 168 | 175 | 40 | 71 | 12.70 |

| FRAME | UNITS | 2F ±.03 |
|-------|-------|------------|
| 404TS | IN | 12.25 |
| | MM | 311 |
| 405TS | IN | 13.75 |
| | MM | 349 |

1. DIMENSIONS MAY VARY .25" DUE TO CASTING AND/OR FABRICATION VARIATIONS
2. LARGEST MOTOR WIDTH
3. STANDARD ASSEMBLY POSITION F-1 IS SHOWN. F-2 IS PROVIDED WHEN SPECIFIED. CONDUIT OPENING MAY BE LOCATED IN STEPS OF 90° REGARDLESS OF THE LOCATION
4. TOLERANCES ARE SHOWN IN INCHES ONLY

08-1062/-

Nidec Motor Corporation
St. Louis, Missouri

INFORMATION DISCLOSED ON THIS DOCUMENT IS CONSIDERED PROPRIETARY AND SHALL NOT BE REPRODUCED OR DISCLOSED WITHOUT WRITTEN CONSENT OF NIDEC MOTOR CORPORATION



ISSUED BY
R. TIMMERMANN
APPROVED BY
M. CULLEN

IHP_DP_NMCA (MAR-2011) SOLIDEDGE