

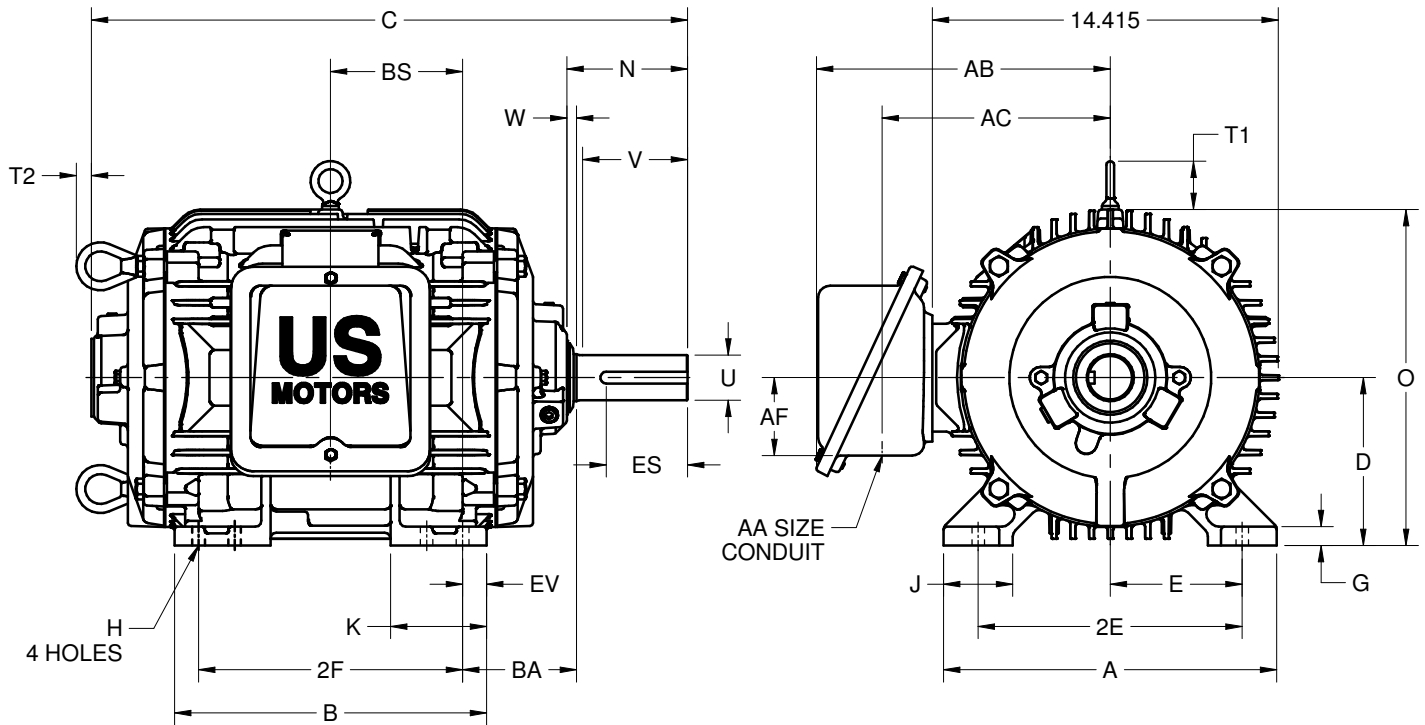
EFFECTIVE:  
**09-JAN-19**

SUPERSEDES:  
**NEW**

**DIMENSION PRINT**  
**WORLD MOTOR COOLING TOWER**  
FRAME: 284T, 286T  
BASIC TYPE: TCNI

PRINT:  
**08-1161**

SHEET:  
**1 OF 1**



ALL DIMENSIONS ARE IN INCHES AND MILLIMETERS

UNITS	A	B	C	D -.06	E	2E ±.03	G	H +.05	J	K	N	O
IN	13.88	13.00	24.84	7.00	5.50	11.00	.78	.53	2.88	4.00	5.03	14.00
MM	353	330	631	178	140	279	20	13	73	102	128	356

UNITS	P <sup>2</sup>	T1	T2	U -.001	V MIN	W	AA	AB	AC	AF	BA	BS
IN	14.66	2.03	.63	1.875	4.38	.41	1-1/2 NPT	12.25	9.50	3.25	4.75	5.50
MM	372	52	16	47.63	111	10		311	241	83	121	140

UNITS	EV	ES MIN	SQ KEY
IN	1.00	3.28	.500
MM	25	83	12.70

FRAME	UNITS	2F ±.03
284T	IN	9.50
	MM	241
286T	IN	11.00
	MM	279

1. DIMENSIONS MAY VARY .25" DUE TO CASTING AND/OR FABRICATION VARIATIONS
2. LARGEST MOTOR WIDTH
3. STANDARD ASSEMBLY POSITION F-1 IS SHOWN. F-2 IS PROVIDED WHEN SPECIFIED. CONDUIT OPENING MAY BE LOCATED IN STEPS OF 90° REGARDLESS OF THE LOCATION
4. TOLERANCES ARE SHOWN IN INCHES ONLY

08-1161/-

**Nidec Motor Corporation**  
St. Louis, Missouri

INFORMATION DISCLOSED ON THIS DOCUMENT IS CONSIDERED PROPRIETARY AND SHALL NOT BE REPRODUCED OR DISCLOSED WITHOUT WRITTEN CONSENT OF NIDEC MOTOR CORPORATION



ISSUED BY  
**R. TIMMERMANN**  
APPROVED BY  
**M. CULLEN**

IHP\_DP\_NMCA (MAR-2011) SOLIDEDGE