

EFFECTIVE:  
**10-JAN-19**

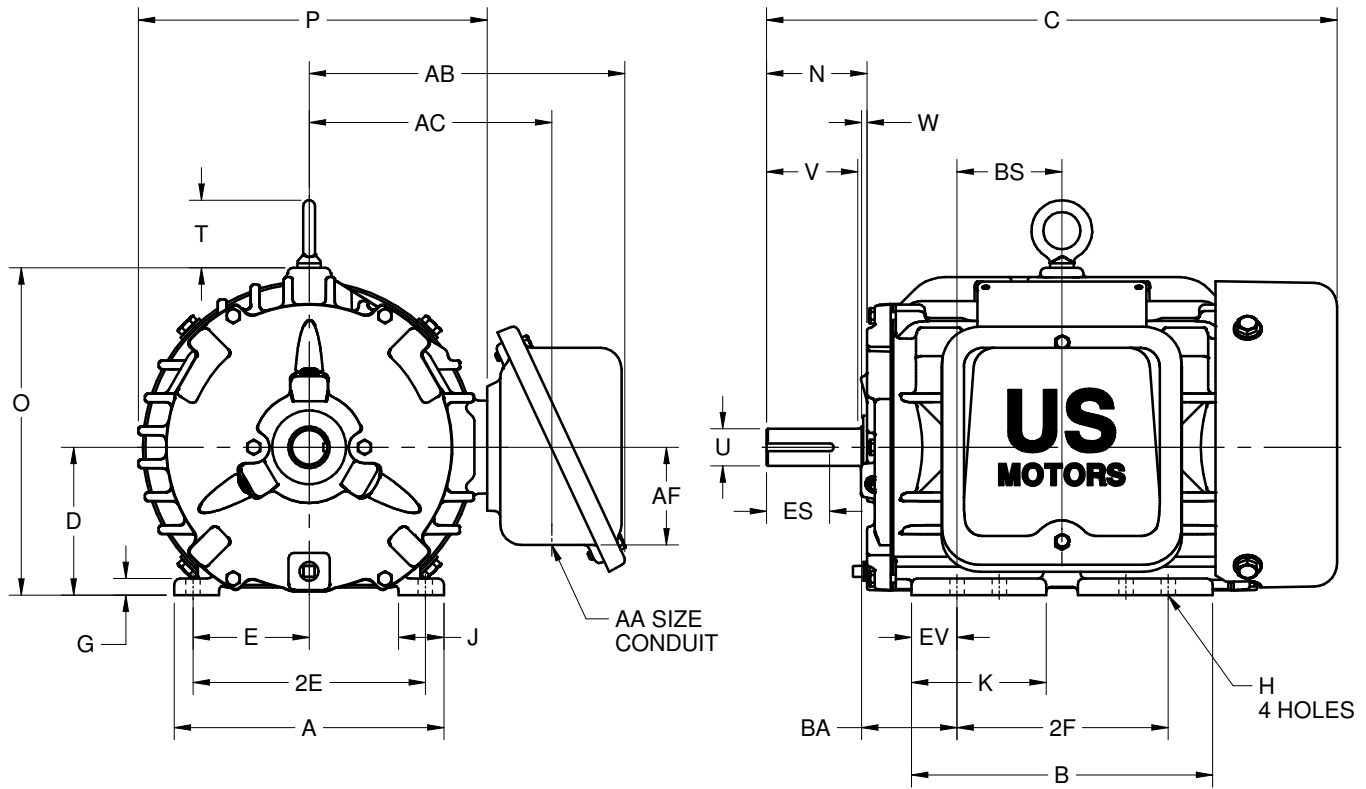
SUPERSEDES:  
**NEW**

**DIMENSION PRINT**  
**WORLD MOTOR COOLING TOWER**  
FRAME: 143T, 145T  
BASIC TYPE: TCI

PRINT:  
**08-1173**

SHEET:  
**1 OF 1**

F-2 ASSEMBLY POSITION



ALL DIMENSIONS ARE IN INCHES AND MILLIMETERS

UNITS	A	B	C	D -.06	E	2E ±.03	G	H +.05	J	K	N	O	P <sup>2</sup>
IN	6.38	7.13	13.50	3.50	2.75	5.50	.38	.34	1.06	3.19	2.38	7.75	8.47
MM	162	181	343	89	70	140	10	9	27	81	60	197	215

UNITS	T	U -.0005	V MIN	W	AA	AB	AC	AF	BA	BS	EV	ES MIN	SQ KEY
IN	1.63	.8750	2.00	.13	3/4 NPT	7.50	5.75	2.31	2.25	2.50	1.06	1.41	.188
MM	17	22.225	51	3		191	146	59	57	64	27	36	4.78

FRAME	UNITS	2F ±.03
143T	IN	4.00
	MM	102
145T	IN	5.00
	MM	127

1. DIMENSIONS MAY VARY .25" DUE TO CASTING AND/OR FABRICATION VARIATIONS
2. LARGEST MOTOR WIDTH
3. ASSEMBLY POSITION F-2 SHOWN. CONDUIT OPENING MAY BE LOCATED IN STEPS OF 90°
4. TOLERANCES ARE SHOWN IN INCHES ONLY

08-1173/-

**Nidec Motor Corporation**  
St. Louis, Missouri

INFORMATION DISCLOSED ON THIS DOCUMENT IS CONSIDERED PROPRIETARY AND SHALL NOT BE REPRODUCED OR DISCLOSED WITHOUT WRITTEN CONSENT OF NIDEC MOTOR CORPORATION



ISSUED BY  
**R. TIMMERMANN**  
APPROVED BY  
**M. CULLEN**

IHP\_DP\_NMCA (MAR-2011) SOLIDEDGE