

EFFECTIVE:  
**17-AUG-21**

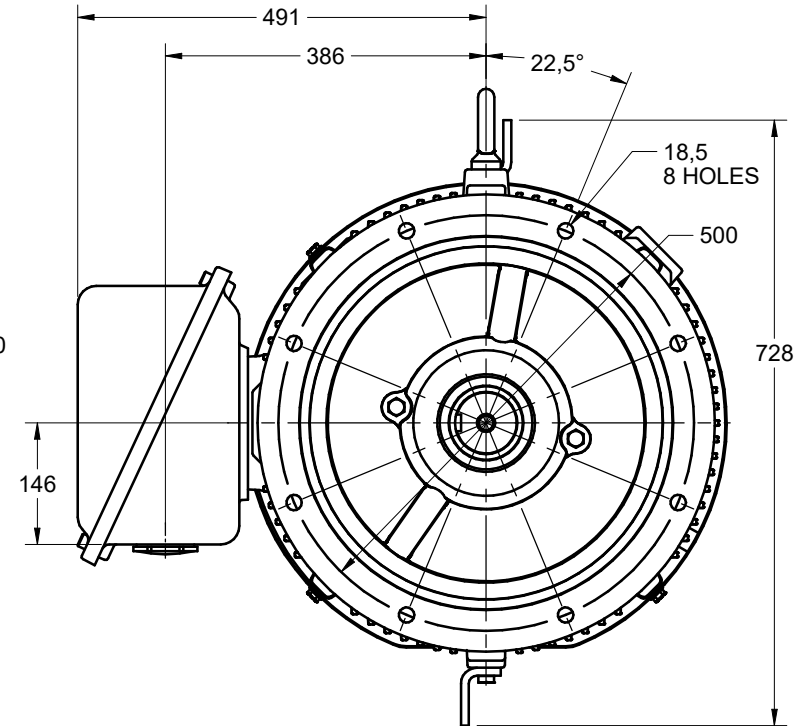
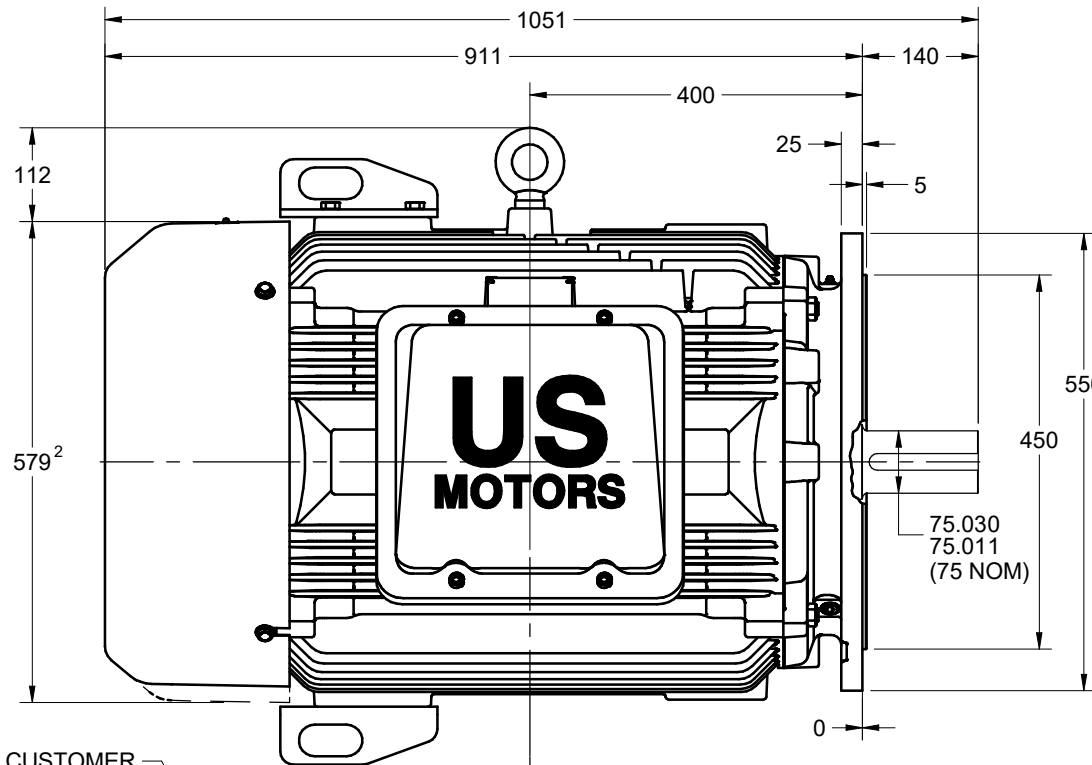
SUPERSEDES:  
**21-AUG-20**

**DIMENSION PRINT**  
IEC WORLD MOTOR HOSTILE DUTY B5 FLANGE (4 POLE AND SLOWER)  
FRAME: 280  
BASIC TYPE: ICTEF

PRINT:  
**08-1268**

SHEET:  
**1 OF 1**

DIMENSIONS ARE SHOWN IN mm



CUSTOMER MOUNTING FACE

28,58

M63 x 1.5  
2 HOLES

SEE NOTE 4

PLUG WITH WASHER  
QTY 1

KEY  
(115 LONG)

20

67

M20 x 2.5  $\nabla$  45

(75)

12

108

CUSTOMER MOUNTING CONDITION

**TOLERANCES**

FACE RUNOUT	0,125 TIR
PERMISSIBLE ECCENTRICITY OF MOUNTING RABBET	0,125 TIR
PERMISSIBLE SHAFT RUNOUT	0,060 TIR

1. DIMENSIONS MAY VARY 6,4mm DUE TO CASTING AND/OR FABRICATION VARIATIONS
2. LARGEST MOTOR WIDTH
3. CONDUIT OPENING MAY BE LOCATED IN STEPS OF 90° REGARDLESS OF THE LOCATION
4. FOR BEST RESULTS, STUD OFFERED INTO EACH OF THE B5 MOUNTING HOLES SHOULD EXTEND APPROXIMATELY 48mm FROM CUSTOMER MOUNTING FACE

08-1268/A

**Nidec Motor Corporation**  
St. Louis, Missouri

INFORMATION DISCLOSED ON THIS DOCUMENT IS CONSIDERED PROPRIETARY AND SHALL NOT BE REPRODUCED OR DISCLOSED WITHOUT WRITTEN CONSENT OF NIDEC MOTOR CORPORATION



ISSUED BY  
**R. TIMMERMANN**  
APPROVED BY  
**K. POTTER**

IHP\_DP\_IEC\_NMCA (JAN-2018) SOLIDEDGE