

EFFECTIVE:  
**22-JUL-11**

SUPERSEDES:  
**16-MAY-01**

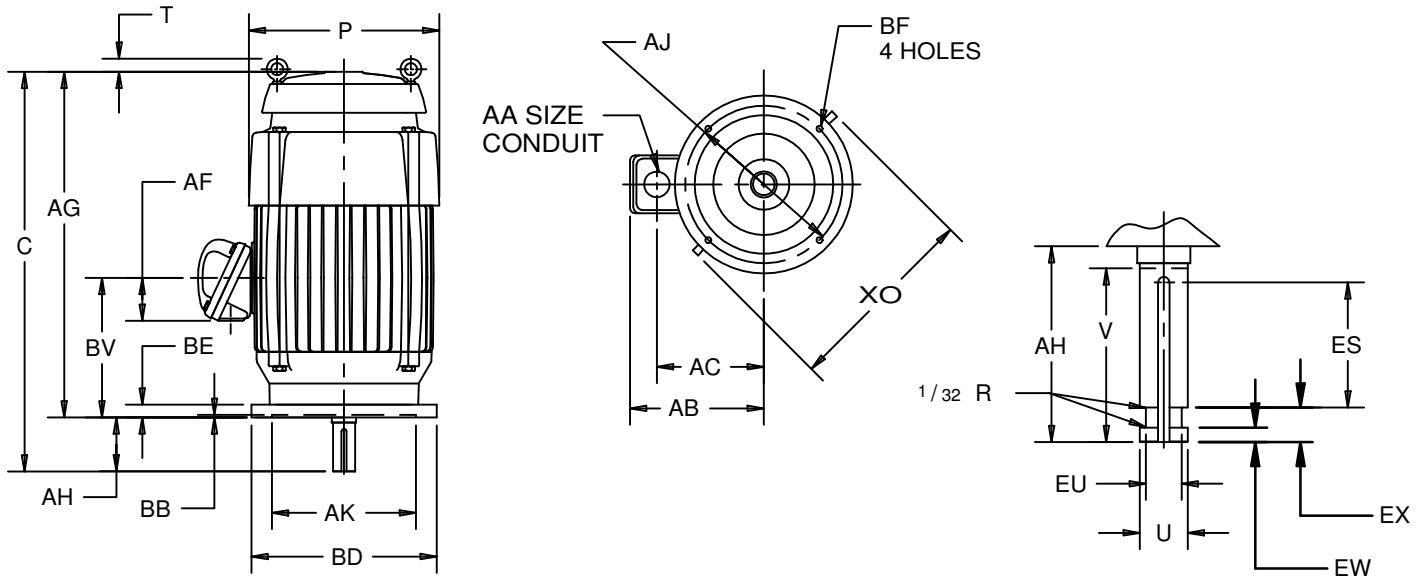
# VERTICAL MOTORS

## TEFC

FRAME: 182LP THRU 286HPHA  
BASIC TYPE: TV9

PRINT:  
**09-1791**

SHEET:  
**1 OF 1**



ALL DIMENSIONS ARE IN INCHES

BASIC FRAME	C	P <sup>4</sup>	T	AA	AB	AC
182,184	18.19	9.50	---	.75	6.31	5.38
213,215	21.66	11.13	---	1.00	7.50	6.44
254,256	26.88	13.31	---	1.25	8.94	7.75
284,286	32.63	13.38	---	1.50	10.75	8.25

BASIC FRAME	AF	AG	AH ±.031	BE	BV	EW +.002	EX -.005	XO
182,184	2.63	15.44	2.75	.78	6.50	.375	.750	11.81
213,215	3.31	18.91	2.75	.75	8.00	.375	.750	12.75
254,256	3.69	24.13	2.75	1.00	10.44	.375	.750	14.69
284,286	2.56	28.13	4.50	1.00	14.75	.375	.750	15.88

FRAME	U	V MIN	AJ	AK	BB MIN	BD	BF	ES MIN	EU -.005	SQ KEY
182,184HP,LP	1.13	2.75	9.13	8.25	.19	10.00	.44	1.81	.88	.250
213,215HP 254,256HP	1.13	2.75	9.13	8.25	.19	10.00	.44	1.88	.88	.250
213,215LP 254,256LP	1.63	2.75	9.13	8.25	.19	10.00	.44	1.88	1.25	.375
254,256HPH	1.13	2.75	9.13	8.25	.19	12.00	.44	1.88	.88	.250
284,286LP	2.13	4.00	9.13	8.25	.19	10.00	.44	3.06	1.75	.500
284,286HPH	1.63	4.50	14.75	13.50	.25	16.50	.69	3.06	1.25	.375
284,286LPH	2.13	4.00	14.75	13.50	.25	16.50	.69	3.06	1.75	.500
284,286HPZ	1.63	4.50	9.13	8.25	.19	10.00	.44	3.06	1.25	.375
284,286HPHA	1.63	4.50	9.13	8.25	.19	12.00	.44	3.06	1.25	.375

- ALL ROUGH DIMENSIONS MAY VARY BY .25" DUE TO CASTING AND/OR FABRICATION VARIATIONS.
- SHAFT EXTENSION DIAMETER TOLERANCE: +.0000; -.0005 UP 1 5/8" INCLUSIVE. LARGE DIAMETERS: +.000;-.001.
- CONDUIT OPENING MAY BE LOCATED IN STEPS OF 90 DEGREES, STANDARD AS SHOWN WITH CONDUIT OPENING DOWN.
- LARGEST MOTOR WIDTH.

TOLERANCES	8.25 AK	13.50 AK
"AK" DIMENSION	+.003;-.000 AK	+.005;-.000
FACE RUNOUT	.004 T.I.R.	.004 T.I.R.
PERMISSIBLE ECCENTRICITY OF MOUNTING RABBET	.004 T.I.R.	.004 T.I.R.
PERMISSIBLE SHAFT RUNOUT	.001 T.I.R.	.001 T.I.R.
PERMISSIBLE SHAFT ENDPLAY	.0015 MAX	.0015 MAX

09-1791/D

**Nidec Motor Corporation**  
St. Louis, Missouri

INFORMATION DISCLOSED ON THIS DOCUMENT IS CONSIDERED PROPRIETARY AND SHALL NOT BE REPRODUCED OR DISCLOSED WITHOUT WRITTEN CONSENT OF NIDEC MOTOR CORPORATION



ISSUED BY  
**E. WENDT**  
APPROVED BY  
**K. POTTER**

IHP\_DP\_NMCA (MAR-2011) SOLIDEDGE