

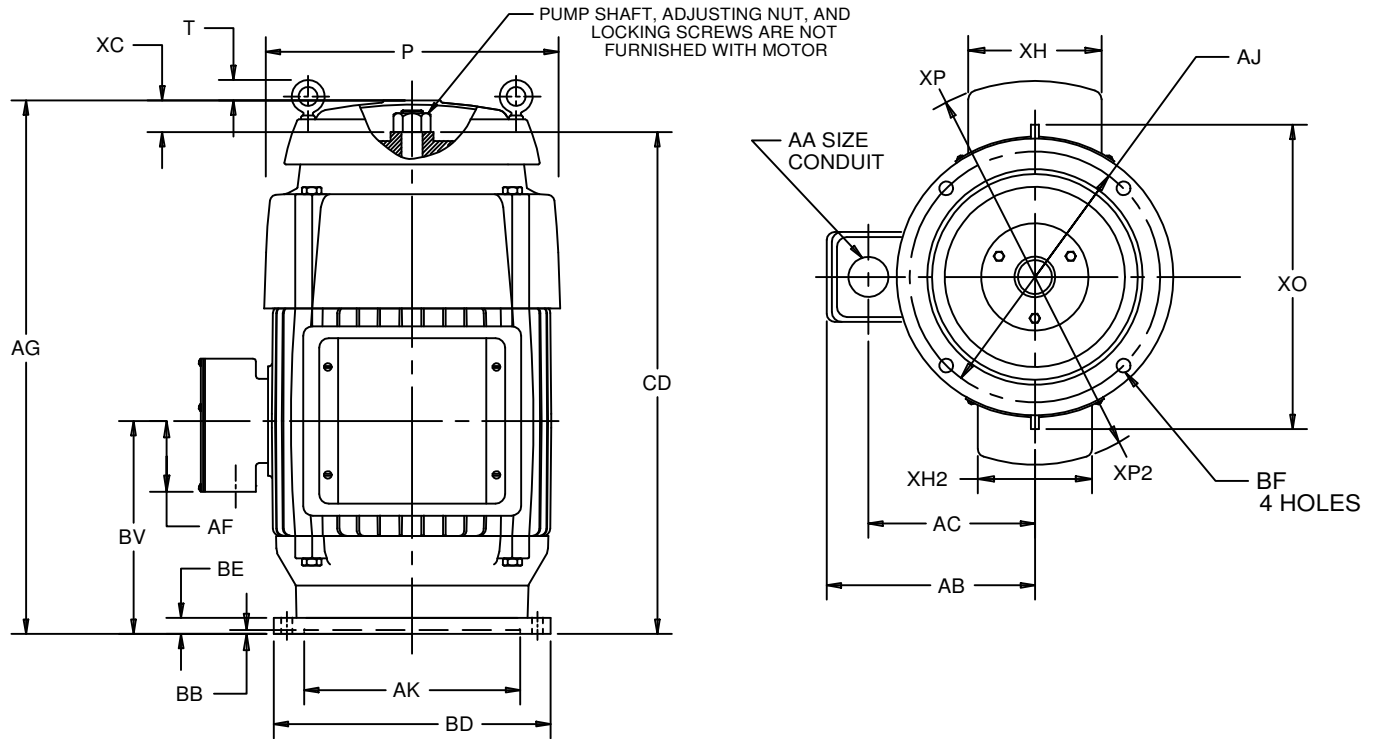
EFFECTIVE:
25-JUL-11

SUPERSEDES:
28-AUG-01

VERTICAL MOTORS
WEATHER PROTECTED TYPE I
FRAME: 213P THRU 256UPH
BASIC TYPE: AUC, AUR

PRINT:
09-1807

SHEET:
1 OF 1



ALL DIMENSIONS ARE IN INCHES & MILLIMETERS

BASIC FRAME	UNITS	P ²	T	AG	AJ	AK +.003	BB MIN	BE	BF	BV	CD	XC	XO
210	IN	12.88	1.50	21.25	9.125	8.250	.19	.75	.44	8.00	17.56	3.34	---
	mm	327	38	540	231.78	209.55	5	19	11	203	446	85	---
250	IN	14.00	---	26.75	9.125	8.250	.25	.94	.44	11.50	23.38	3.22	16.88
	mm	356	---	679	231.78	209.55	6	24	11	292	294	82	429

FRAME	TYPE	UNITS	AA	AB	AC	AF	BD	XH	XH2	XP	XP2
215P(5HP,2 POLE)	AUR	IN	3/4 NPT	7.94	6.94	3.06	10.00	6.13	6.13	8.75	7.75
		mm		202	176	78	254	156	156	222	197
213P,215P	AUR	IN	3/4 NPT	7.94	6.94	3.06	10.00	6.13	---	7.75	---
		mm		202	176	78	254	156	---	197	---
254UP,256UP	AUC	IN	1 1/4 NPT	8.94	7.75	3.59	10.00	7.50	7.00	10.56	9.69
		mm		227	197	91	254	191	178	268	246
254UPH,256UPH	AUC	IN	1 1/4 NPT	8.94	7.75	3.59	12.00	7.50	7.00	10.56	9.69
		mm		227	197	91	305	191	178	268	246

- 1: ALL ROUGH DIMENSIONS MAY VARY BY .25" DUE TO CASTING AND/OR FABRICATION VARIATIONS.
- 2: LARGEST MOTOR WIDTH.
- 3: CONDUIT BOX MAY BE LOCATED IN STEPS OF 90° STANDARD AS SHOWN WITH CONDUIT OPENING DOWN.
- 4: TOLERANCES SHOWN ARE IN INCHES ONLY.

TOLERANCES	
FACE RUNOUT	.004 T.I.R.
PERMISSIBLE ECCENTRICITY OF MOUNTING RABBET	.004 T.I.R.

09-1807/B

Nidec Motor Corporation
St. Louis, Missouri

INFORMATION DISCLOSED ON THIS DOCUMENT IS CONSIDERED PROPRIETARY AND SHALL NOT BE REPRODUCED OR DISCLOSED WITHOUT WRITTEN CONSENT OF NIDEC MOTOR CORPORATION



ISSUED BY
E. WENDT
APPROVED BY
K. POTTER

IHP_DP_NMCA (MAR-2011) SOLIDEDGE