

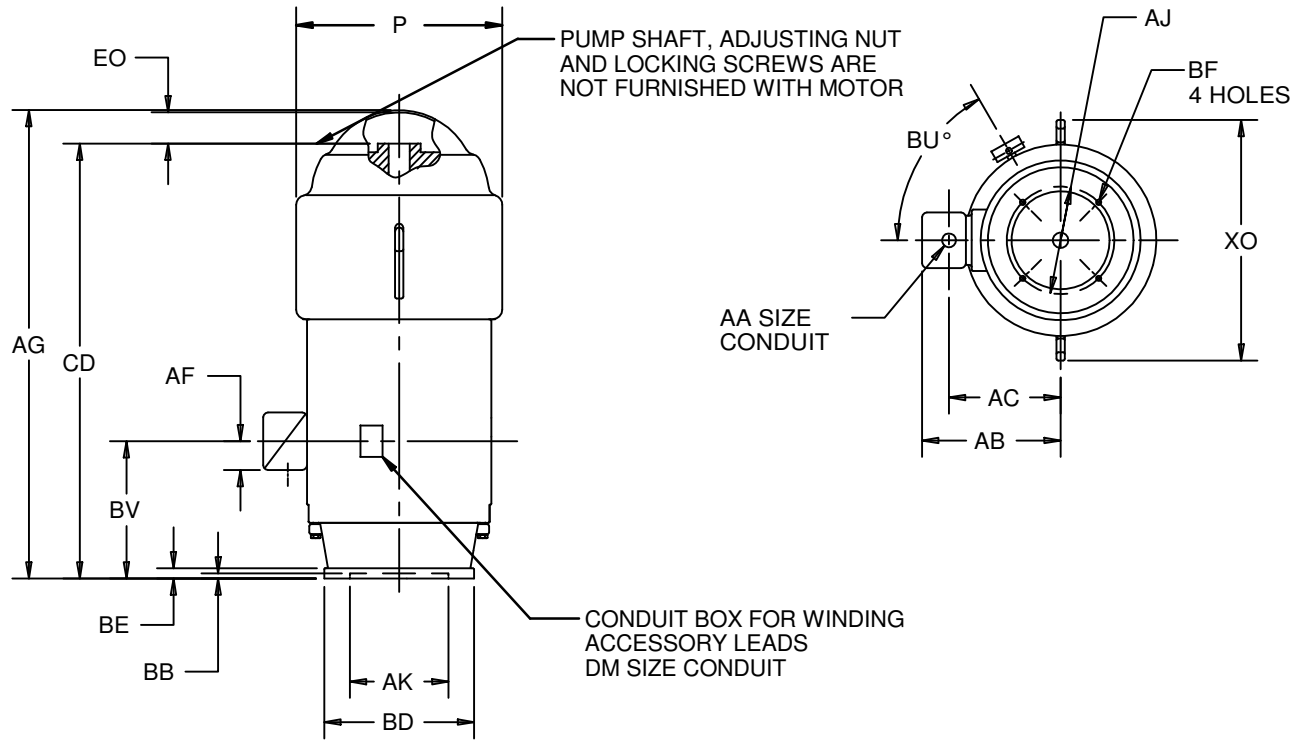
EFFECTIVE:
25-JUL-11

SUPERSEDES:
22-MAY-02

VERTICAL MOTORS
WEATHER PROTECTED TYPE I
FRAME: 5000P, PH
BASIC TYPE: HU

PRINT:
09-1829

SHEET:
1 OF 1



ALL DIMENSIONS ARE IN INCHES

FRAME	P	AG	BV	CD	EO	XO
5006	29.00	56.31	19.38	49.75	6.25	34.00
5008		60.44		53.88		
5009		64.44		57.88		

FRAME	AJ	AK +.005	BB MIN	BD MAX	BE	BF
5000P	14.750	13.500	.25	24.50	.88	.69
5000PH				20.00		

FRAME	HP	VOLT	AA	AB	AC	AF	BU°	DM
5006	ALL	460	3 1/2 NPT	23.25	17.75	8.06	60	3/4 NPT
	5008	ALL		2300	24.25	18.75		
ALL		4000						
5009	ALL	460		3 1/2 NPT	24.00	18.50		
	ALL	2300	25.00		19.50	10.00		
	ALL	4000						

1: ALL ROUGH DIMENSIONS MAY VARY BY .25" DUE TO CASTING AND/OR FABRICATION VARIATIONS.
2: CONDUIT OPENINGS MAY BE LOCATED IN STEPS OF 90°. STANDARD IS AS SHOWN WITH CONDUIT OPENING DOWN.

TOLERANCES	
FACE RUNOUT	.007 T.I.R.
PERMISSIBLE ECCENTRICITY OF MOUNTING RABBET	.007 T.I.R.

09-1829/B

Nidec Motor Corporation
St. Louis, Missouri

INFORMATION DISCLOSED ON THIS DOCUMENT IS CONSIDERED PROPRIETARY AND SHALL NOT BE REPRODUCED OR DISCLOSED WITHOUT WRITTEN CONSENT OF NIDEC MOTOR CORPORATION



ISSUED BY
E. WENDT
APPROVED BY
K. POTTER

IHP_DP_NMCA (MAR-2011) SOLIDEDGE