

EFFECTIVE:
27-MAR-12

SUPERSEDES:
22-FEB-11

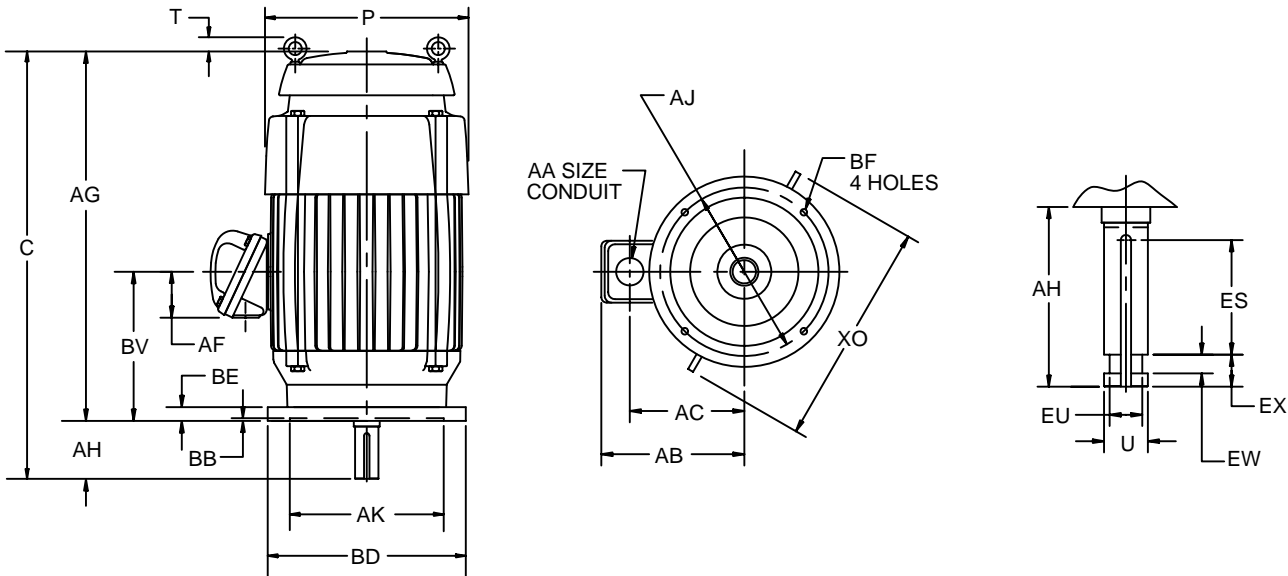
VERTICAL MOTORS

EXPLOSION PROOF

FRAME: 324HP THRU 447LP
BASIC TYPE: LV-9

PRINT:
09-1867

SHEET:
1 OF 2



ALL DIMENSIONS ARE IN INCHES

BASIC FRAME	C	P ²	T	AA	AB	AC	AF
324, 326	34.69	17.00	.88	2 NPT	14.19	10.69	3.88
364, 365	36.75	18.75	1.31	3 NPT	15.88	11.94	4.56
404, 405, A444	42.44	21.19	---	3 NPT	17.13	13.19	4.56
444, 445	46.19	23.25	---	3 NPT	19.75	14.63	4.56
447	49.69	23.25	---	3 NPT	19.75	14.63	4.56

BASIC FRAME	AG	AH ⁴ ±.031	BE	BV	EW +.002	EX -.005	XO
324, 326	30.19	4.50	1.00	11.94	.375	.750	---
364, 365	32.25	4.50	1.00	13.00	.375	.750	---
404, 405, A444	37.94	4.50	1.00	15.63	.375	.750	24.13
444, 445	41.69	4.50	1.13	16.50	.375	.750	28.25
447	45.19	4.50	1.13	18.25	.375	.750	28.25

FRAME	U -.001	AJ	AK	BB MIN	BD MAX	BF	ES MIN	EU -.005	SQ KEY
324,326HP 364,365HP 405,A444HP	1.625	14.750	13.500	.25	16.50	.69	3.03	1.250	.375
324,326HPH 324,326LP 364,365LP,HPZ	1.625	9.125	8.250	.19	12.00	.44	3.03	1.250	.375
404,405LP,HPH 444,445,447HP 444,445,447LP A444HPH	2.125	14.750	13.500	.25	16.50	.69	3.03	1.750	.500

TOLERANCES	8.250 AK	13.500 AK
AK DIMENSION	+.003; -.000	+.005; -.000
FACE RUNOUT	.004 T.I.R.	.004 T.I.R.
PERMISSIBLE ECCENTRICITY OF MOUNTING RABBET	.004 T.I.R.	.004 T.I.R.
PERMISSIBLE SHAFT RUNOUT	.001 T.I.R.	.001 T.I.R.
PERMISSIBLE SHAFT ENDPLAY	.0015 MAX.	.0015 MAX.

- ALL ROUGH CASTING DIMENSIONS MAY VARY BY .25" DUE TO CASTING AND/OR FABRICATION VARIATIONS.
- LARGEST MOTOR WIDTH.
- CONDUIT OPENING MAY BE LOCATED IN STEPS OF 90 DEGREES, STANDARD AS SHOWN WITH CONDUIT OPENING DOWN.

- TOLERANCE IS ± .062 ON FRAME 404 AND LARGER.
- TOLERANCES SHOWN ARE IN INCHES ONLY.

09-1867/E

Nidec Motor Corporation
St. Louis, Missouri

INFORMATION DISCLOSED ON THIS DOCUMENT IS CONSIDERED PROPRIETARY AND SHALL NOT BE REPRODUCED OR DISCLOSED WITHOUT WRITTEN CONSENT OF NIDEC MOTOR CORPORATION



ISSUED BY
R. KING
APPROVED BY
J. HAGENE

IHP_DP_NMCA (MAR-2011) SOLIDEDGE

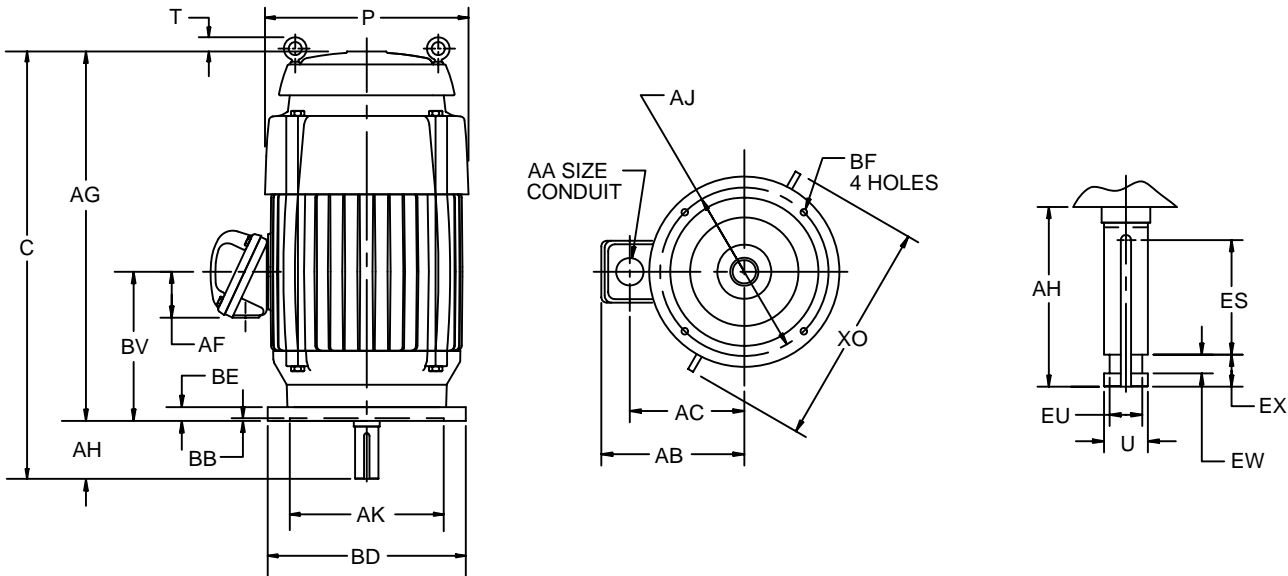
EFFECTIVE:
27-MAR-12

SUPERSEDES:
22-FEB-11

VERTICAL MOTORS
EXPLOSION PROOF
FRAME: 324HP THRU 447LP
BASIC TYPE: LV-9

PRINT:
09-1867

SHEET:
2 OF 2



ALL DIMENSIONS ARE IN MILLIMETERS

BASIC FRAME	C	P ²	T	AA	AB	AC	AF
324, 326	881	432	22	2 NPT	360	272	99
364, 365	933	476	33	3 NPT	403	303	116
404, 405, A444	1078	538	---	3 NPT	435	335	116
444, 445	1173	591	---	3 NPT	502	372	116
447	1262	591	---	3 NPT	502	372	116

BASIC FRAME	AG	AH	BE	BV	EW	EX	XO
324, 326	767	114	25	303	9.53	19.05	---
364, 365	819	114	25	330	9.53	19.05	---
404, 405, A444	964	114	25	397	9.53	19.05	613
444, 445	1059	114	29	419	9.53	19.05	718
447	1148	114	29	464	9.53	19.05	718

FRAME	U	AJ	AK	BB MIN	BD MAX	BF	ES MIN	EU	SQ KEY
324,326HP 364,365HP 405,A444HP	41.28	374.65	342.90	6	419	18	77	31.75	9.53
324,326HPH	41.28	231.78	209.55	5	305	11	77	31.75	9.53
324,326LP 364,365LP,HPZ 404,405LP,HPH 444,445,447HP 444,445,447LP A444HPH	53.98	374.65	342.90	6	419	18	77	44.45	12.70

1: ALL ROUGH CASTING DIMENSIONS MAY VARY BY 6.35 MM DUE TO CASTING AND/OR FABRICATION VARIATIONS.
2: LARGEST MOTOR WIDTH.

3: CONDUIT OPENING MAY BE LOCATED IN STEPS OF 90 DEGREES, STANDARD AS SHOWN WITH CONDUIT OPENING DOWN.

09-1867/E

Nidec Motor Corporation
St. Louis, Missouri

INFORMATION DISCLOSED ON THIS DOCUMENT IS CONSIDERED PROPRIETARY AND SHALL NOT BE REPRODUCED OR DISCLOSED WITHOUT WRITTEN CONSENT OF NIDEC MOTOR CORPORATION



ISSUED BY
R. KING
APPROVED BY
J. HAGENE

IHP_DP_NMCA (MAR-2011) SOLIDEDGE