

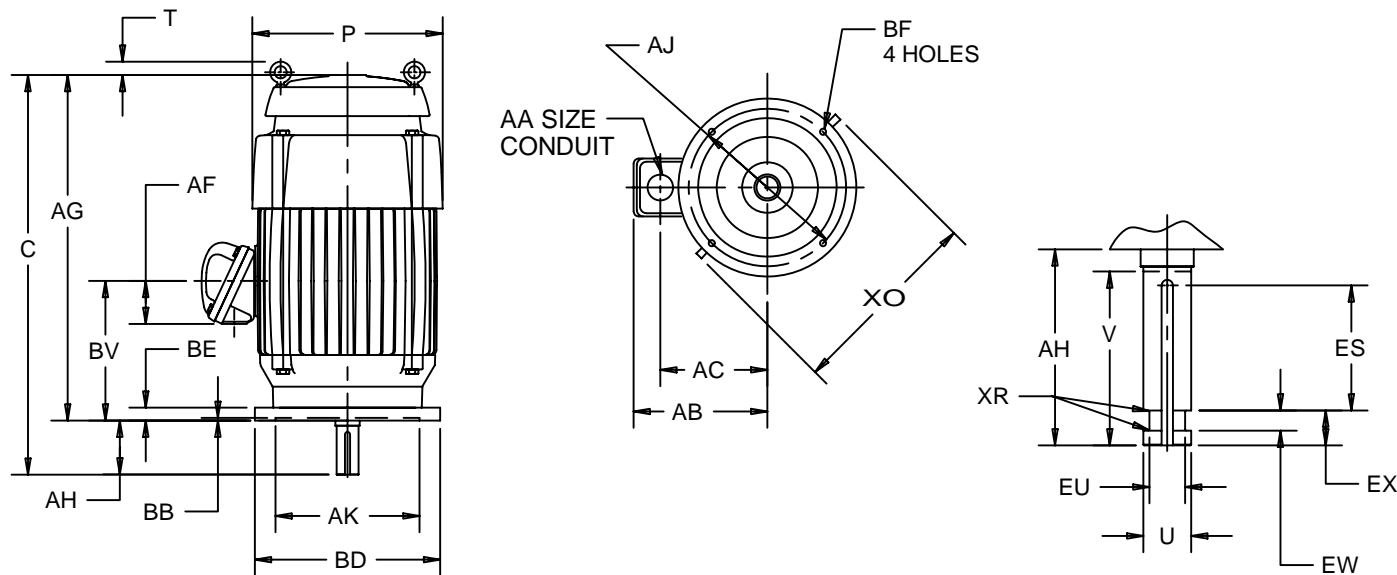
EFFECTIVE:  
**09-MAY-11**

SUPERSEDES:  
**08-JUN-01**

**VERTICAL MOTORS**  
EXPLOSION PROOF  
FRAME: 182LP THRU 286HPHA  
BASIC TYPE: LV9

PRINT:  
**09-1869**

SHEET:  
**1 OF 1**



ALL DIMENSIONS ARE IN INCHES

BASIC FRAME	C	P <sup>4</sup>	T	AA	AB	AC
182,184	18.63	9.50	---	3/4 NPT	7.63	5.81
213,215	23.25	11.13	1.31	1 NPT	9.19	6.81
254,256	27.56	13.19	1.63	1 1/2 NPT	11.06	8.25
284,286	31.88	14.56	1.50	2 NPT	13.19	9.69

BASIC FRAME	AF	AG	AH ±.031	BE	BV	EW +.002	EX -.005	XO	XR
182,184	2.25	15.88	2.750	.59	7.63	.375	.750	11.63	.03
213,215	2.63	20.50	2.750	.75	8.00	.375	.750	---	.03
254,256	3.13	24.81	2.750	.59	10.00	.375	.750	---	.03
284,286	3.88	27.38	4.500	.91	11.19	.375	.750	---	.03

FRAME	U	V MIN	AJ	AK	BB MIN	BD MAX	BF	ES MIN	EU -.005	SQ KEY
182,184HP,LP	1.1250	2.75	9.125	8.250	.19	10.00	.44	1.81	.875	.250
213,215HP 254,256HP 284,286HP	1.1250	2.75	9.125	8.250	.19	10.00	.44	1.88	.875	.250
213,215LP 254,256LP	1.625	2.75	9.125	8.250	.19	10.00	.44	1.88	1.250	.375
254,256HPH	1.1250	2.75	9.125	8.250	.19	12.00	.44	1.88	7/8	.250
284,286LP	2.125	4.00	9.125	8.250	.19	10.00	.44	3.06	1.750	.500
284,286HPH	1.625	4.50	14.750	13.500	.25	16.50	.69	3.06	1.250	.375
284,286LPH	2.125	4.00	14.750	13.500	.25	16.50	.69	3.06	1.750	.500
284,286HPZ	1.625	4.50	9.125	8.250	.19	10.00	.44	3.06	1.250	.375
284,286HPHA	1.625	4.50	9.125	8.250	.19	12.00	.44	3.06	1.250	.375

TOLERANCES	8.250 AK	13.500 AK
"AK" DIMENSION	+ .003; - .000 AK	+ .005; - .000
FACE RUNOUT	.004 T.I.R.	.004 T.I.R.
PERMISSIBLE ECCENTRICITY OF MOUNTING RABBET	.004 T.I.R.	.004 T.I.R.
PERMISSIBLE SHAFT RUNOUT	.001 T.I.R.	.001 T.I.R.
PERMISSIBLE SHAFT ENDPLAY	.0015 MAX	.0015 MAX

1: ALL ROUGH CASTING DIMENSIONS MAY VARY BY .25" DUE TO CASTING VARIATIONS.  
2: SHAFT EXTENSION DIAMETER TOLERANCE: +.0000; -.0005 UP 1-5/8" INCLUSIVE. LARGE DIAMETERS: +.000;- .001.

3: CONDUIT OPENING MAY BE LOCATED IN STEPS OF 90 DEGREES. STANDARD AS SHOWN WITH CONDUIT OPENING DOWN.  
4: LARGEST MOTOR WIDTH.

09-1869/B

**Nidec Motor Corporation**  
St. Louis, Missouri

INFORMATION DISCLOSED ON THIS DOCUMENT IS CONSIDERED PROPRIETARY AND SHALL NOT BE REPRODUCED OR DISCLOSED WITHOUT WRITTEN CONSENT OF NIDEC MOTOR CORPORATION



ISSUED BY  
**R. KING**  
APPROVED BY  
**K. POTTER**

IHP\_DP\_NMCA (MAR-2011) SOLIDEDGE