

EFFECTIVE:
27-NOV-12

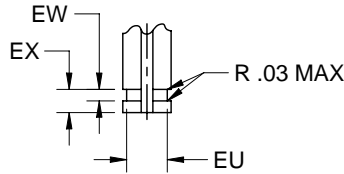
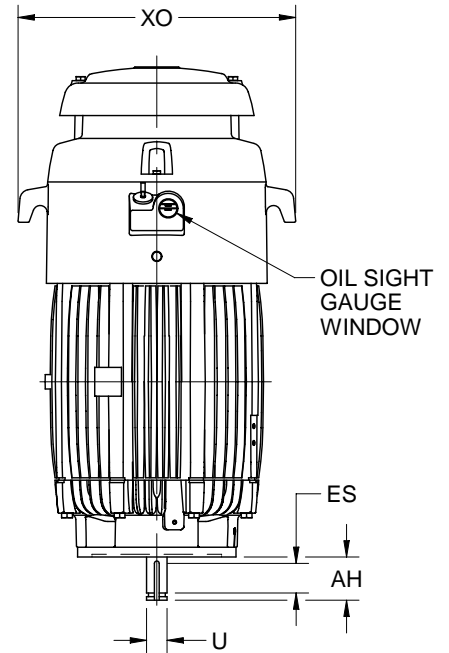
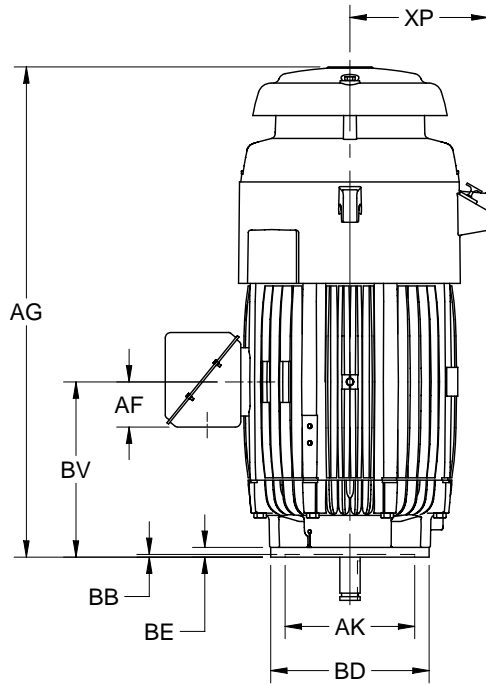
SUPERSEDES:
06-FEB-12

VERTICAL MOTORS

WITH NEMA "P" BASE
FRAME: 440VP, VPA
BASIC TYPE: LV4, TV4

PRINT:
09-2079

SHEET:
1 OF 1



ALL DIMENSIONS ARE IN INCHES AND MILLIMETERS

UNITS	P ²	U	AH	AJ	AK
IN	23.25	2.125	4.50	14.750	13.500
MM	591	53.98	114.30	374.65	342.90

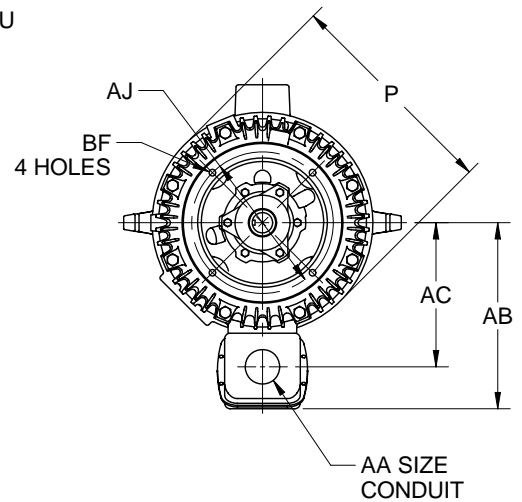
UNITS	BB MIN	BE	BF	ES MIN	EU
IN	.25	1.00	.69	3.03	1.750
MM	6	25	18	77	44.45

UNITS	EW +.002	EX -.005	XO	XP	SQ KEY
IN	.375	.750	28.94	14.38	.500
MM	9.53	19.05	735	365	12.70

TYPE	UNITS	AA	AB	AC	AF
TV4	IN	3.00	19.38	14.88	4.72
	MM		492	378	120
LV4	IN	3 NPT	19.66	14.63	4.56
	MM		499	371	116

FRAME	UNITS	AG	BV
444, 445	IN	47.56	16.50
	MM	1208	419
447	IN	51.06	18.25
	MM	1297	464

FRAME	UNITS	BD MAX
440VP	IN	16.50
	MM	419
440VPA	IN	20.00
	MM	508



TOLERANCES	
FACE RUNOUT	.007 T.I.R.
PERMISSIBLE ECCENTRICITY OF MOUNTING RABBET	.007 T.I.R.
PERMISSIBLE SHAFT RUNOUT	.002 T.I.R.

1. DIMENSIONS MAY VARY ±.25" DUE TO CASTING AND/OR FABRICATION VARIATIONS.
2. LARGEST MOTOR WIDTH.
3. TOLERANCES ARE IN INCHES.
4. CONDUIT BOX MAY BE ROTATED IN STEPS OF 90 DEGREES. STANDARD AS SHOWN WITH CONDUIT OPENING DOWN.

09-2079/1

Nidec Motor Corporation
St. Louis, Missouri

INFORMATION DISCLOSED ON THIS DOCUMENT IS CONSIDERED PROPRIETARY AND SHALL NOT BE REPRODUCED OR DISCLOSED WITHOUT WRITTEN CONSENT OF NIDEC MOTOR CORPORATION



ISSUED BY
K. FRIEDMAN
APPROVED BY
J. O'BRIEN

IHP_DP_NMCA (MAR-2011) SOLIDEDGE