

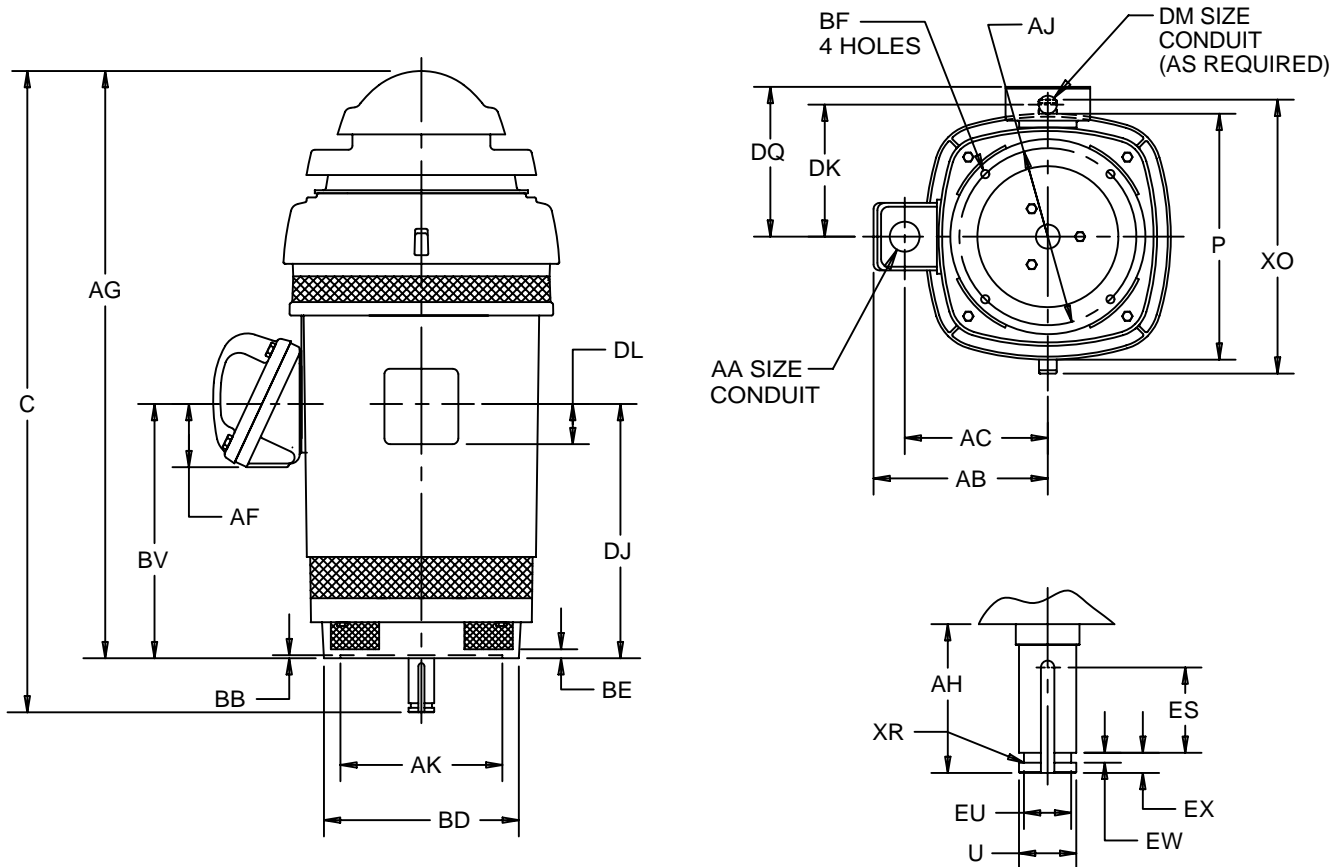
EFFECTIVE:
08-APR-11

SUPERSEDES:
08-MAY-09

VERTICAL MOTORS
2 POLE, WP-I, ONLY
FRAME: 444VP THRU 445VPA
BASIC TYPE: RV-4

PRINT:
09-2168

SHEET:
1 OF 1



DIMENSIONS ARE IN INCHES AND MILLIMETERS

UNITS	C	P ²	U -.001	AG	AH	AJ	AK +.005	BB MIN	BE	BF	BV	DJ
IN	52.88	23.38	2.125	48.38	4.50	14.750	13.500	.25	.75	.69	21.19	21.19
MM	1343	594	53.98	1229	114	374.65	342.90	6	19	18	538	538

UNITS	DK	DL	DM	DQ	ES MIN	EU -.005	EW +.002	EX -.005	XO	XR	SQ KEY
IN	11.88	3.38	1 NPT	13.31	3.03	1.750	.375	.750	27.50	.03	.500
MM	302	86		338	77	44.45	9.53	19.05	699	1	12.70

CONDUIT BOX MATERIAL	UNITS	AA	AB	AC	AF	FRAME	UNITS	BD MAX
	STEEL	IN	3.00	18.81	14.38		4.72	444, 445VP
	MM	478		365	120	MM	419	
CAST IRON	IN	3-1/2 NPT	18.44	14.25	5.28	444, 445VPA	IN	20.00
	MM		468	362	134		MM	508

- 1: ALL ROUGH DIMENSIONS MAY VARY BY .25" DUE TO CASTING AND/OR FABRICATION VARIATIONS.
- 2: LARGEST MOTOR WIDTH.
- 3: TOLERANCES SHOWN ARE IN INCHES ONLY.
- 4: CONDUIT BOX OPENING MAY BE LOCATED IN STEPS OF 90° REGARDLESS OF LOCATION. STANDARD AS SHOWN WITH CONDUIT OPENING DOWN.

TOLERANCES	
FACE RUNOUT	.007 T.I.R.
PERMISSIBLE ECCENTRICITY OF MOUNTING RABBET	.007 T.I.R.
PERMISSIBLE SHAFT RUNOUT	.002 T.I.R.

09-2168/G

Nidec Motor Corporation
St. Louis, Missouri

INFORMATION DISCLOSED ON THIS DOCUMENT IS CONSIDERED PROPRIETARY AND SHALL NOT BE REPRODUCED OR DISCLOSED WITHOUT WRITTEN CONSENT OF NIDEC MOTOR CORPORATION



ISSUED BY
R. KING
APPROVED BY
K. POTTER

IHP_DP_NMCA (MAR-2011) SOLIDEDGE