

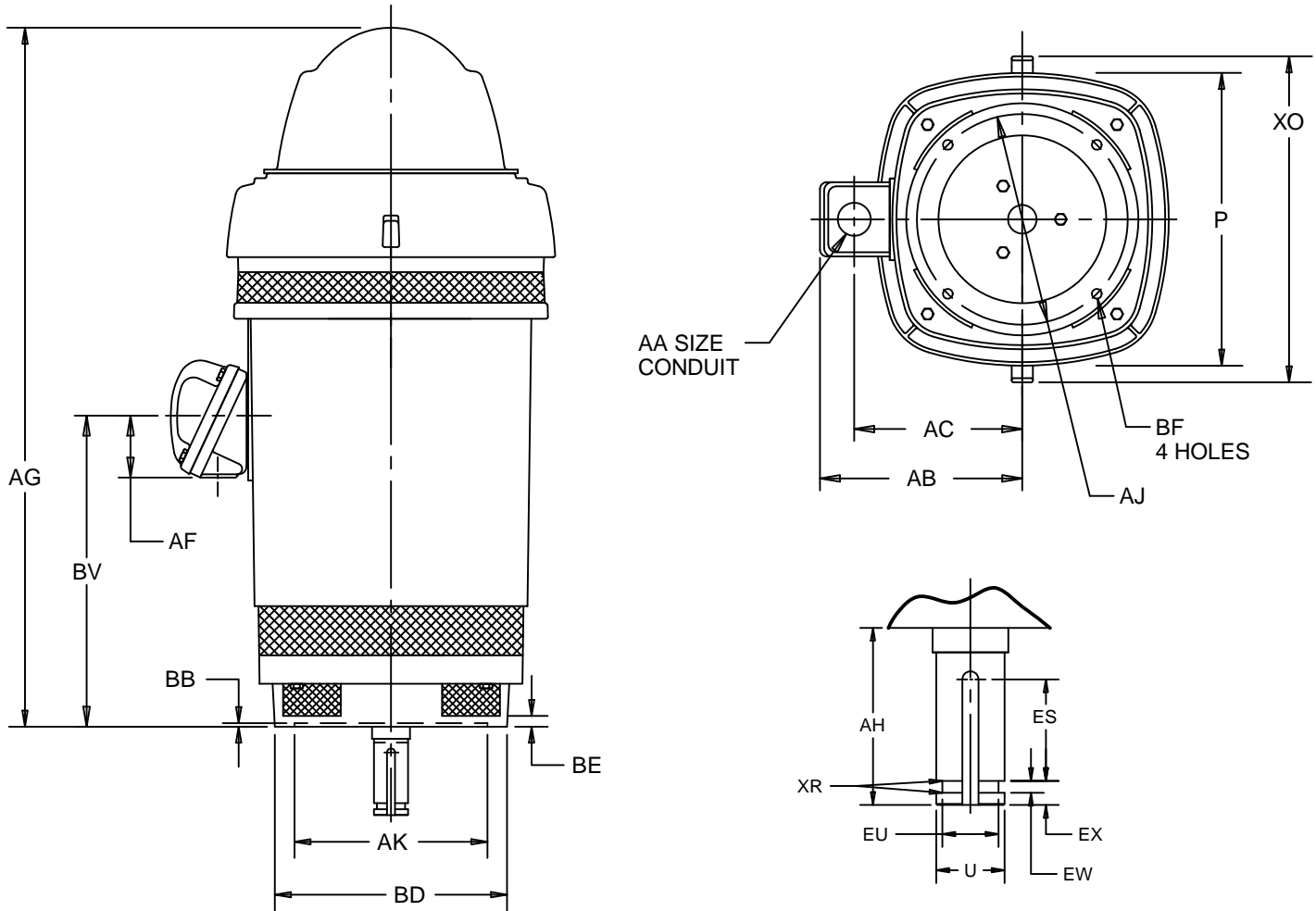
EFFECTIVE:
18-NOV-13

DIMENSION PRINT
WEATHER PROTECTED TYPE 1
FRAME: H444, H445VP, VPA
BASIC TYPE: RV4

PRINT:
09-2229

SUPERSEDES:
14-MAR-11

SHEET:
1 OF 1



ALL DIMENSIONS ARE IN INCHES AND MILLIMETERS

| UNITS | P ² | U -.001 | AG | AH | AJ | AK +.005 | BB MIN | BE |
|-------|----------------|------------|-------|------|--------|-------------|-----------|-----|
| IN | 23.38 | 2.125 | 50.06 | 4.50 | 14.750 | 13.500 | .25 | .75 |
| MM | 594 | 53.98 | 1272 | 114 | 374.65 | 342.90 | 6 | 19 |

| UNITS | BF | BV | ES MIN | EU -.005 | EW +.002 | EX -.005 | XO | XR | SQ KEY |
|-------|-----|-------|-----------|-------------|-------------|-------------|-------|-----|-----------|
| IN | .69 | 21.19 | 3.03 | 1.750 | .375 | .750 | 27.50 | .03 | .500 |
| MM | 18 | 538 | 77 | 44.45 | 9.53 | 19.05 | 699 | 1 | 12.70 |

| CONDUIT BOX MATERIAL | UNITS | AA | AB | AC | AF | FRAME | UNITS | BD MAX |
|----------------------|-------|-----------|-------|-------|------|---------|-------|-----------|
| STEEL | IN | 3.00 | 18.94 | 14.44 | 4.72 | H440VP | IN | 16.50 |
| | MM | | 504 | 367 | 120 | | MM | 419 |
| CAST IRON | IN | 3 1/2 NPT | 18.56 | 14.31 | 5.28 | H440VPA | IN | 20.00 |
| | MM | | 471 | 363 | 134 | | MM | 508 |

- 1: ALL ROUGH DIMENSIONS MAY VARY BY .25" DUE TO CASTING AND/OR FABRICATION VARIATIONS.
- 2: LARGEST MOTOR WIDTH.
- 3: CONDUIT OPENINGS MAY BE LOCATED IN STEPS OF 90 DEGREES. STANDARD AS SHOWN WITH CONDUIT OPENING DOWN.
- 4: ALL TOLERANCES SHOWN ARE IN INCHES ONLY.

| TOLERANCES | |
|---|-------------|
| FACE RUNOUT | .007 T.I.R. |
| PERMISSIBLE ECCENTRICITY OF MOUNTING RABBET | .007 T.I.R. |
| PERMISSIBLE SHAFT RUNOUT | .002 T.I.R. |
| SPECIAL SHAFT RUNOUT (WHEN SPECIFIED) | .001 T.I.R. |

09-2229/G

Nidec Motor Corporation
St. Louis, Missouri

INFORMATION DISCLOSED ON THIS DOCUMENT IS CONSIDERED PROPRIETARY AND SHALL NOT BE REPRODUCED OR DISCLOSED WITHOUT WRITTEN CONSENT OF NIDEC MOTOR CORPORATION



ISSUED BY
R. KING
APPROVED BY
J. O'BRIEN

IHP_DP_NMCA (MAR-2011) SOLIDEDGE