

EFFECTIVE:
10-MAR-14

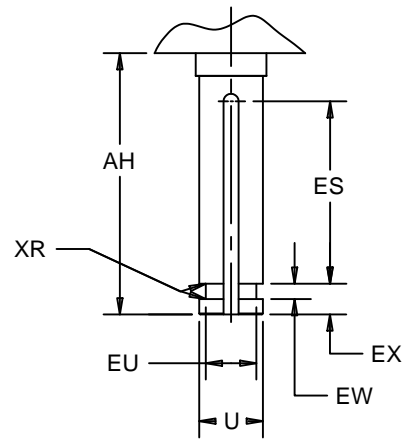
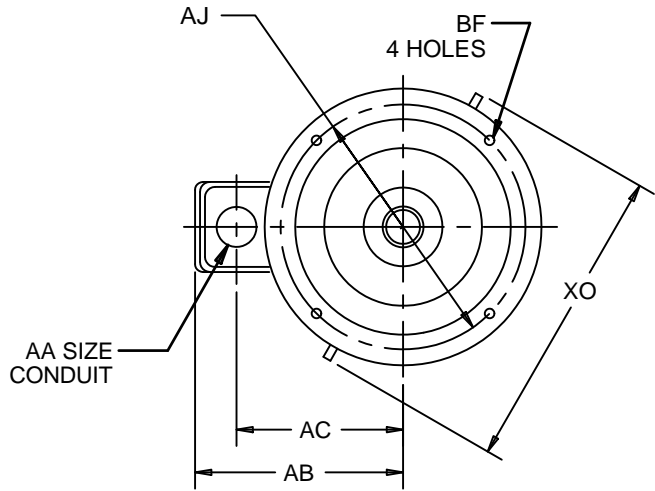
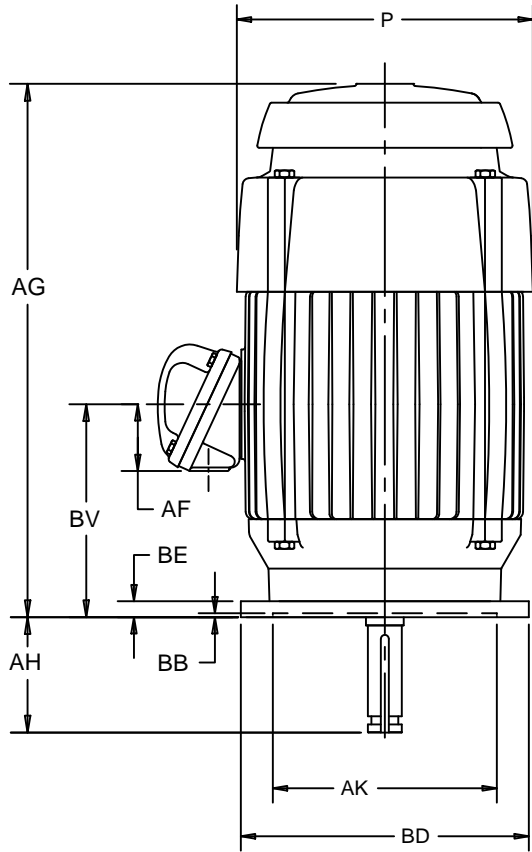
SUPERSEDES:
24-JUN-11

DIMENSION PRINT

WITH STYLE "P" BASE
FRAME: 444VP THRU 447VPA
BASIC TYPE: LV, TV

PRINT:
09-2271

SHEET:
1 OF 1



ALL DIMENSIONS ARE IN INCHES AND MILLIMETERS

UNITS	P ²	U -.001	AH ±.063	AJ	AK +.005	BB MIN	BE	BF	ES MIN	EU -.005	EW +.002	EX -.005	XO	XR	SQ KEY
IN	23.25	2.125	4.500	14.750	13.500	.25	1.13	.69	3.03	1.750	.375	.750	26.25	.03	.500
MM	591	53.98	114	374.65	342.90	6	29	18	77	44.45	9.53	19.05	667	1	12.70

FRAME	UNITS	AG	BV
444,445	IN	41.69	16.50
	MM	1059	419
447	IN	45.19	18.25
	MM	1148	464

FRAME	UNITS	BD MAX
440VP	IN	16.50
	MM	419
440VPA	IN	20.00
	MM	508

FRAME	UNITS	TYPE	AA	AB	AC	AF
444, 445, 447VP, VPA	IN	LV	3 NPT	19.75	14.63	4.56
	MM			502	372	116
444, 445, 447VP, VPA	IN	TV	3.00	18.63	14.88	4.72
	MM			473	378	120

- 1: ALL ROUGH DIMENSIONS MAY VARY BY .25 DUE TO CASTING AND/OR FABRICATION VARIATIONS.
- 2: LARGEST MOTOR WIDTH
- 3: CONDUIT BOX OPENING MAY BE LOCATED IN STEPS OF 90 DEGREES. STANDARD AS SHOWN WITH CONDUIT OPENING DOWN
- 4: TOLERANCES SHOWN ARE IN INCHES ONLY.

TOLERANCES	
FACE RUNOUT	.007 T.I.R.
PERMISSIBLE ECCENTRICITY OF MOUNTING RABBET	.007 T.I.R.
PERMISSIBLE SHAFT RUNOUT	.002 T.I.R.

09-2271/D

Nidec Motor Corporation
St. Louis, Missouri

INFORMATION DISCLOSED ON THIS DOCUMENT IS CONSIDERED PROPRIETARY AND SHALL NOT BE REPRODUCED OR DISCLOSED WITHOUT WRITTEN CONSENT OF NIDEC MOTOR CORPORATION



ISSUED BY
R. KING
APPROVED BY
J. O'BRIEN

IHP_DP_NMCA (MAR-2011) SOLIDEDGE