

EFFECTIVE:
20-JUL-11

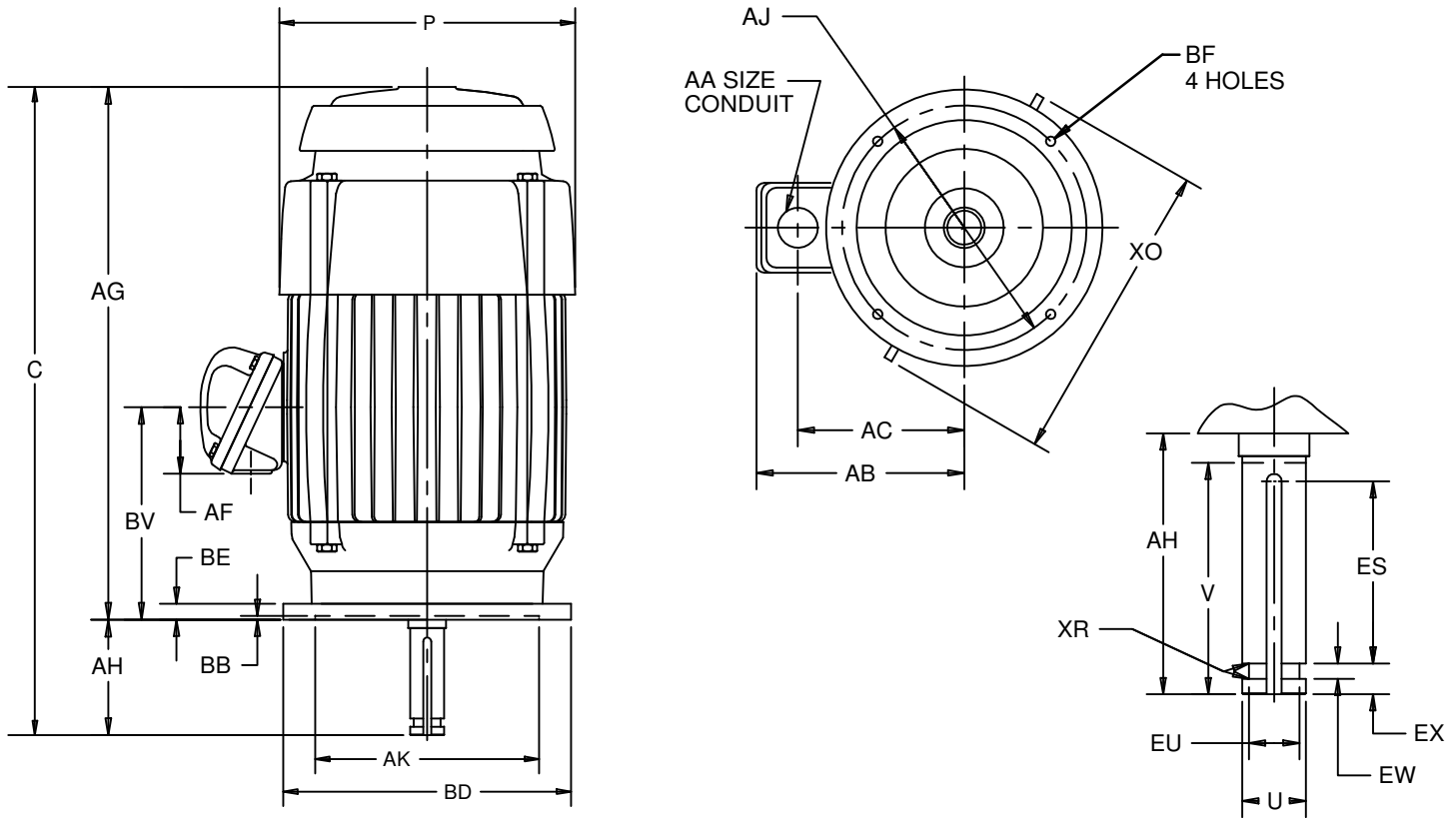
VERTICAL MOTORS W/STYLE "P" BASE

PRINT:
09-2275

SUPERSEDES:
15-DEC-09

FRAME: 444 - 447LP, LPA, HP, HPA
BASIC TYPE: LV9, TV9

SHEET:
1 OF 1



ALL DIMENSIONS ARE IN INCHES AND MILLIMETERS

BASIC FRAME	UNITS	C	P ²	V MIN	AG	AH	AJ	AK +.005
444, 445	IN	46.19	23.25	4.50	41.69	4.50	14.750	13.500
	MM	1173	591	114	1059	114	374.65	342.90
447	IN	49.69	23.25	4.50	45.19	4.50	14.750	13.500
	MM	1262	591	114	1148	114	374.65	342.90

BASIC FRAME	UNITS	BB MIN	BF	BV	EW +.002	EX -.005	XO	XR
444, 445	IN	.25	.69	16.50	.375	.750	26.25	.03
	MM	6	18	419	9.53	19.05	667	.76
447	IN	.25	.69	18.25	.375	.750	26.25	.03
	MM	6	18	464	9.53	19.05	667	.76

BASIC FRAME	UNITS	BD MAX
444, 445, 447 LP	IN	16.50
	MM	419
444, 445, 447 LPA	IN	20.00
	MM	508

FRAME	TYPE	UNITS	U -.001	AA	AB	AC	AF	BE	ES MIN	EU -.005	SQ KEY
444, 445, 447 LP	LV9	IN	2.125	3 NPT	19.75	14.63	4.56	1.13	3.03	1.750	.500
		MM	53.98		502	372	116	29	76	44.45	12.70
444, 445, 447 LP	TV9	IN	2.125	3.00	18.63	14.31	4.72	1.13	3.03	1.750	.500
		MM	53.98		473	363	120	29	76	44.45	12.70

- ALL ROUGH DIMENSIONS MAY VARY BY .25" DUE TO CASTING AND/OR FABRICATION VARIATIONS.
- LARGEST MOTOR WIDTH.
- CONDUIT BOX MAY BE LOCATED ON EITHER SIDE. CONDUIT OPENINGS MAY BE LOCATED IN STEPS OF 90 DEGREES REGARDLESS OF LOCATION. STANDARD AS SHOWN WITH CONDUIT OPENING DOWN.
- DIMENSION MEASURED WITH MOTOR IN VERTICAL POSITION, SHAFT DOWN.
- TOLERANCES SHOWN ARE IN INCHES ONLY.

	TOLERANCES	
	LP, LPA	HP, HPA
FACE RUNOUT	.004 T.I.R.	.006 T.I.R.
PERMISSIBLE ECCENTRICITY OF MOUNTING RABBIT	.004 T.I.R.	.006 T.I.R.
PERMISSIBLE SHAFT RUNOUT	.001 T.I.R.	.002 T.I.R.
AH - SHAFT EXTENSION	±.031	±.062

09-2275/C

Nidec Motor Corporation
St. Louis, Missouri

INFORMATION DISCLOSED ON THIS DOCUMENT IS CONSIDERED PROPRIETARY AND SHALL NOT BE REPRODUCED OR DISCLOSED WITHOUT WRITTEN CONSENT OF NIDEC MOTOR CORPORATION



ISSUED BY
E. WENDT
APPROVED BY
K. POTTER

IHP_DP_NMCA (MAR-2011) SOLIDEDGE