

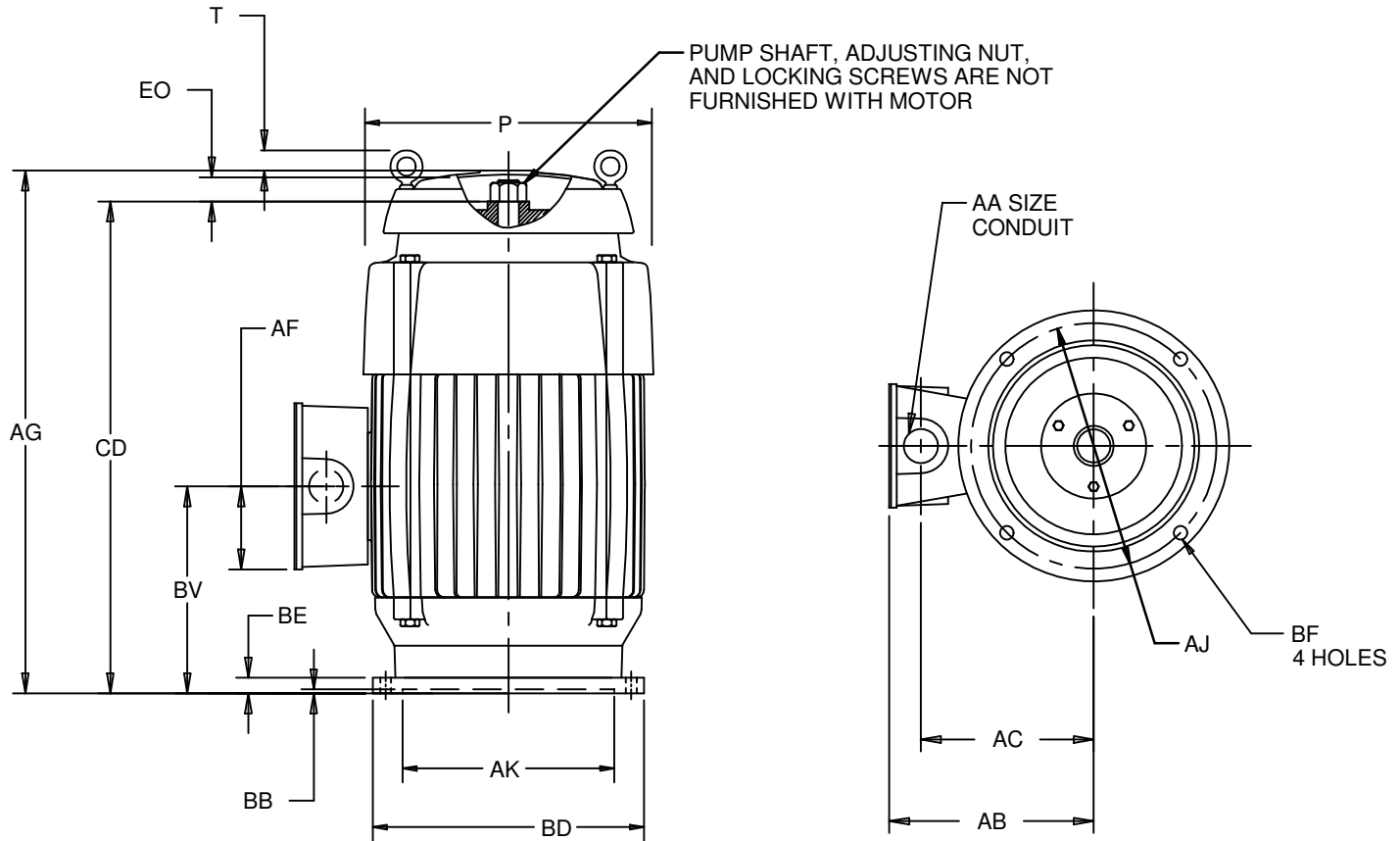
EFFECTIVE:
28-JUL-11

SUPERSEDES:
27-AUG-01

VERTICAL MOTORS
WEATHER PROTECTED TYPE I
FRAME: 182, 184TP
BASIC TYPE: AU

PRINT:
09-2287

SHEET:
1 OF 1



ALL DIMENSIONS ARE IN INCHES AND MILLIMETERS

UNITS	P ²	T	AA	AB	AC	AF	AG	AJ
IN	12.88	1.50	1.00	7.30	6.14	2.63	21.25	9.125
MM	327	38		185	156	69	540	231.78

UNITS	AK +.003	BB MIN	BD MAX	BE	BF	BV	CD	EO
IN	8.250	.19	10.00	.75	.44	8.00	17.56	3.34
MM	209.55	5	254	19	11	203	446	85

- 1: ALL ROUGH DIMENSIONS MAY VARY BY .25" DUE TO CASTING AND/OR FABRICATION VARIATIONS.
- 2: LARGEST MOTOR WIDTH.
- 3: CONDUIT OPENINGS MAY BE LOCATED IN STEPS OF 90 DEGREES REGARDLESS OF LOCATION. STANDARD AS SHOWN WITH CONDUIT OPENING DOWN.
- 4: TOLERANCES SHOWN ARE IN INCHES ONLY.

TOLERANCES	
FACE RUNOUT	.004 T.I.R.
PERMISSIBLE ECCENTRICITY OF MOUNTING RABBET	.004 T.I.R.

09-2287/A

Nidec Motor Corporation
St. Louis, Missouri

INFORMATION DISCLOSED ON THIS DOCUMENT IS CONSIDERED PROPRIETARY AND SHALL NOT BE REPRODUCED OR DISCLOSED WITHOUT WRITTEN CONSENT OF NIDEC MOTOR CORPORATION



ISSUED BY
E. WENDT
APPROVED BY
K. POTTER

IHP_DP_NMCA (MAR-2011) SOLIDEDGE