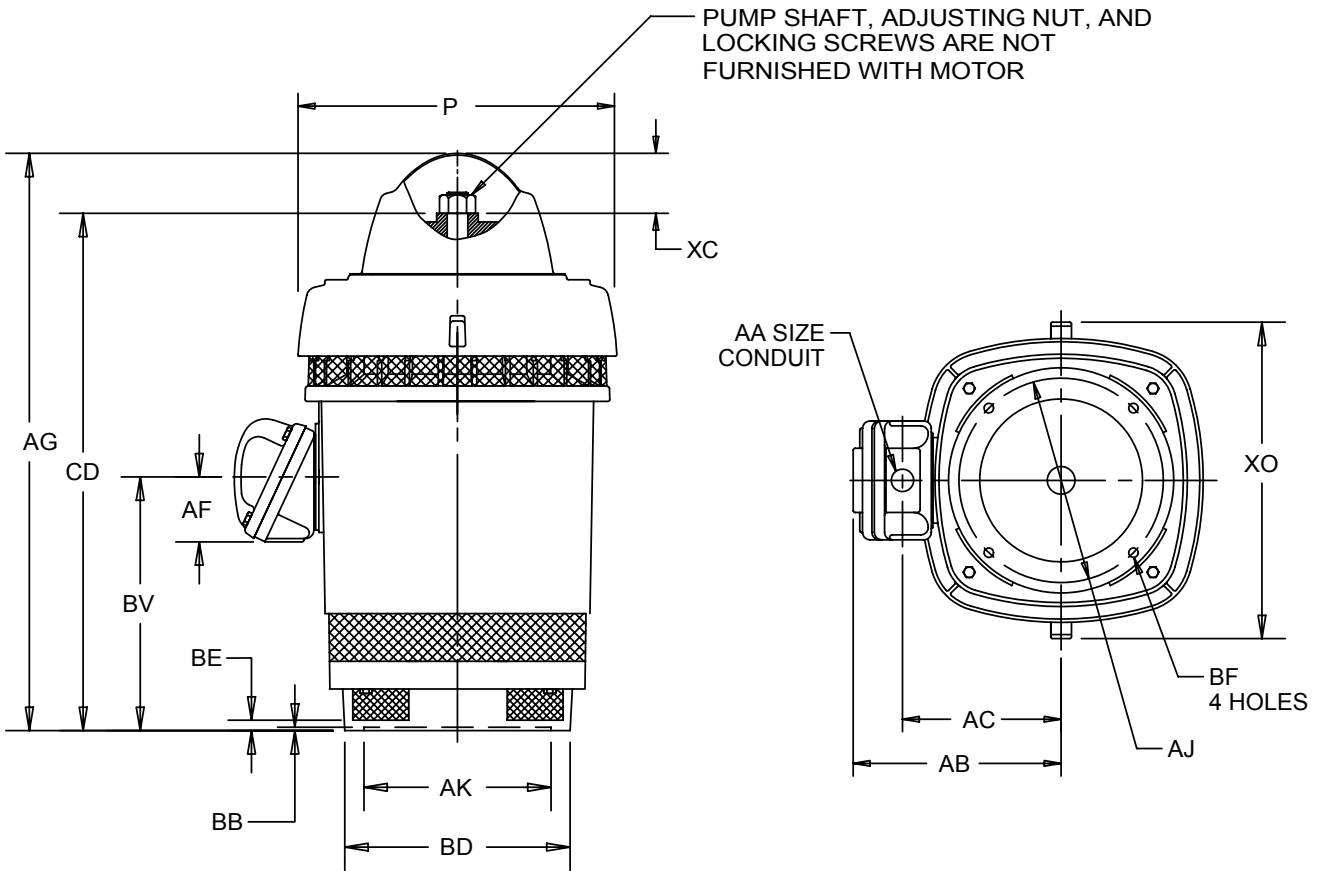


EFFECTIVE:
07-MAR-11
SUPERSEDES:
28-AUG-01

VERTICAL MOTORS
WEATHER PROTECTED TYPE I
FRAME: 364, 365TP, TPA
BASIC TYPE: RU, RUE, RUI, RUS

PRINT:
09-2292
SHEET:
1 OF 1



ALL DIMENSIONS ARE IN INCHES AND MILLIMETERS

BASIC FRAME	UNITS	P ²	AG	BE	BV	CD	XC	XO
360	IN	19.06	36.00	.69	14.00	31.16	4.69	21.69
	MM	484	914	18	356	791	119	551

FRAME	CONDUIT BOX MATERIAL	UNITS	AA	AB	AC	AF
360	STEEL	IN	3.00	15.84	11.56	3.38
		MM	76	402	294	86
	CAST IRON	IN	3 NPT	16.63	12.25	4.63
		MM		422	311	118

FRAME	UNITS	AJ	AK	BB MIN	BD MAX	BF
364, 365TP	IN	14.750	13.500	.25	16.50	.69
	MM	374.65	342.90	6	419	18
364, 365TPA	IN	9.125	8.250	.19	12.00	.44
	MM	231.78	209.55	5	305	11

- 1: ALL ROUGH DIMENSIONS MAY VARY BY .25" DUE TO CASTING VARIATIONS.
- 2: LARGEST MOTOR WIDTH.
- 3: CONDUIT BOX OPENING MAY BE LOCATED IN STEPS OF 90° REGARDLESS OF LOCATION. STANDARD AS SHOWN WITH CONDUIT OPENING DOWN.
- 4: TOLERANCES SHOWN ARE IN INCHES ONLY.

TOLERANCES	8.250 AK	13.500 AK
"AK" DIMENSION	+ .003; - .000	+ .005; - .000
FACE RUNOUT	.004 T.I.R.	.007 T.I.R.
PERMISSIBLE ECCENTRICITY OF MOUNTING RABBET	.004 T.I.R.	.007 T.I.R.

09-2292/A

Nidec Motor Corporation
St. Louis, Missouri

INFORMATION DISCLOSED ON THIS DOCUMENT IS CONSIDERED PROPRIETARY AND SHALL NOT BE REPRODUCED OR DISCLOSED WITHOUT WRITTEN CONSENT OF NIDEC MOTOR CORPORATION



ISSUED BY
T. MAHABARE
APPROVED BY
L. MORALES

IHP_DP_NMCA (MAR-2011) SOLIDEDGE