

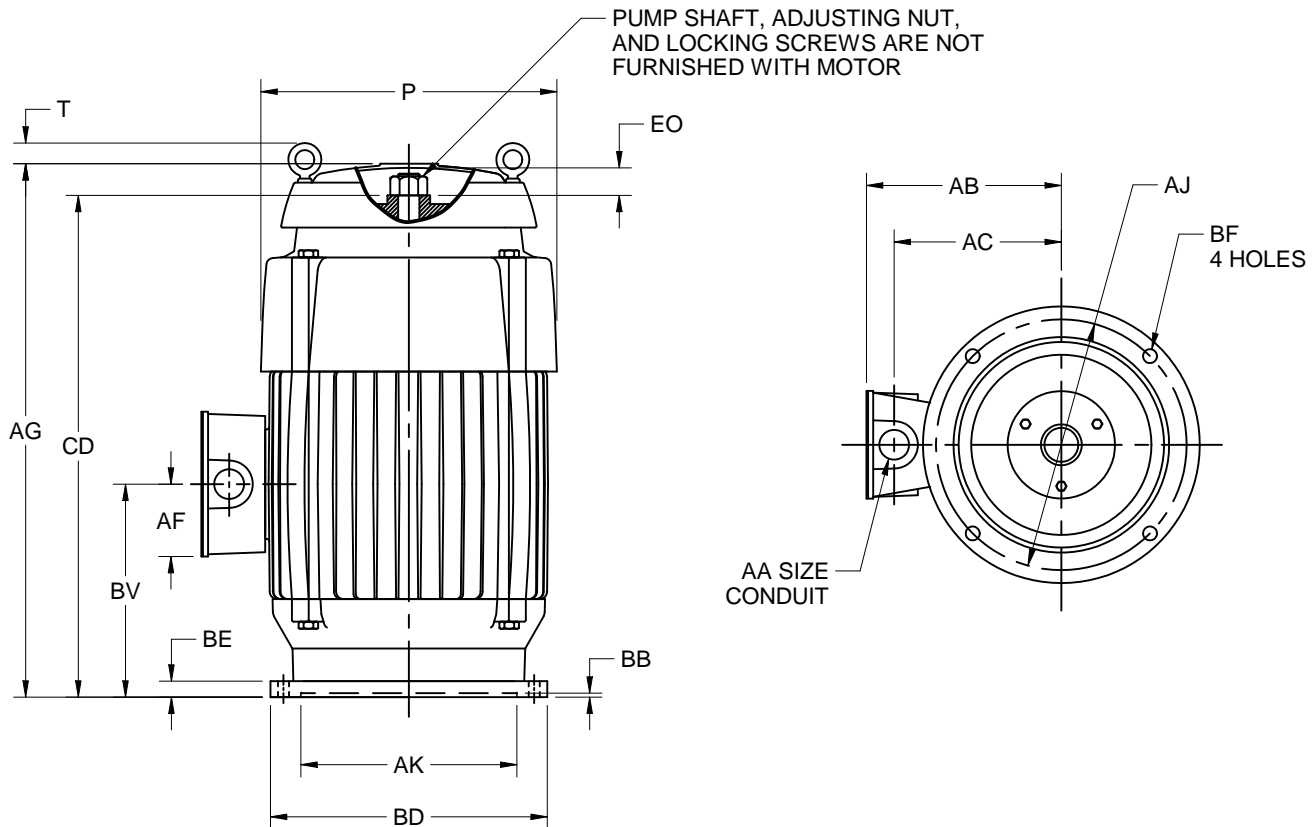
EFFECTIVE:  
13-DEC-13

SUPERSEDES:  
05-JUN-13

**DIMENSION PRINT**  
TOTALLY ENCLOSED FAN COOLED  
FRAME: 182 THRU 215TP  
BASIC TYPE: TU

PRINT:  
09-2296

SHEET:  
1 OF 1



ALL DIMENSIONS ARE IN INCHES AND MILLIMETERS

UNITS	P <sup>2</sup>	T	AA	AB	AC	AF	AG	AJ	AK +.003	BB MIN	BD MAX	BE
IN	12.88	1.47	1.00	7.66	6.50	3.19	21.50	9.125	8.250	.19	10.00	.75
MM	327	37		195	165	81	546	231.78	209.55	5	254	19

UNITS	BF	BV	CD	EO
IN	.44	8.38	17.56	3.00
MM	11	213	446	76

TOLERANCES	
FACE RUNOUT PERMISSIBLE ECCENTRICITY	.004 T.I.R.
OF MOUNTING RABBET	.004 T.I.R.

1. ALL ROUGH DIMENSIONS MAY VARY BY .25 IN DUE TO CASTING AND/OR FABRICATION VARIATIONS.
2. LARGEST MOTOR WIDTH.
3. CONDUIT OPENINGS MAY BE LOCATED IN STEPS OF 90 DEGREES REGARDLESS OF LOCATION. STANDARD AS SHOWN WITH CONDUIT OPENING DOWN.
4. TOLERANCES SHOWN ARE IN INCHES ONLY.

09-2296/E

**Nidec Motor Corporation**  
St. Louis, Missouri

INFORMATION DISCLOSED ON THIS DOCUMENT IS CONSIDERED PROPRIETARY AND SHALL NOT BE REPRODUCED OR DISCLOSED WITHOUT WRITTEN CONSENT OF NIDEC MOTOR CORPORATION



ISSUED BY  
**M. YRISSE**  
APPROVED BY  
**F. LARA**

IHP\_DP\_NMCA (MAR-2011) SOLIDEDGE