

EFFECTIVE:
22-AUG-12

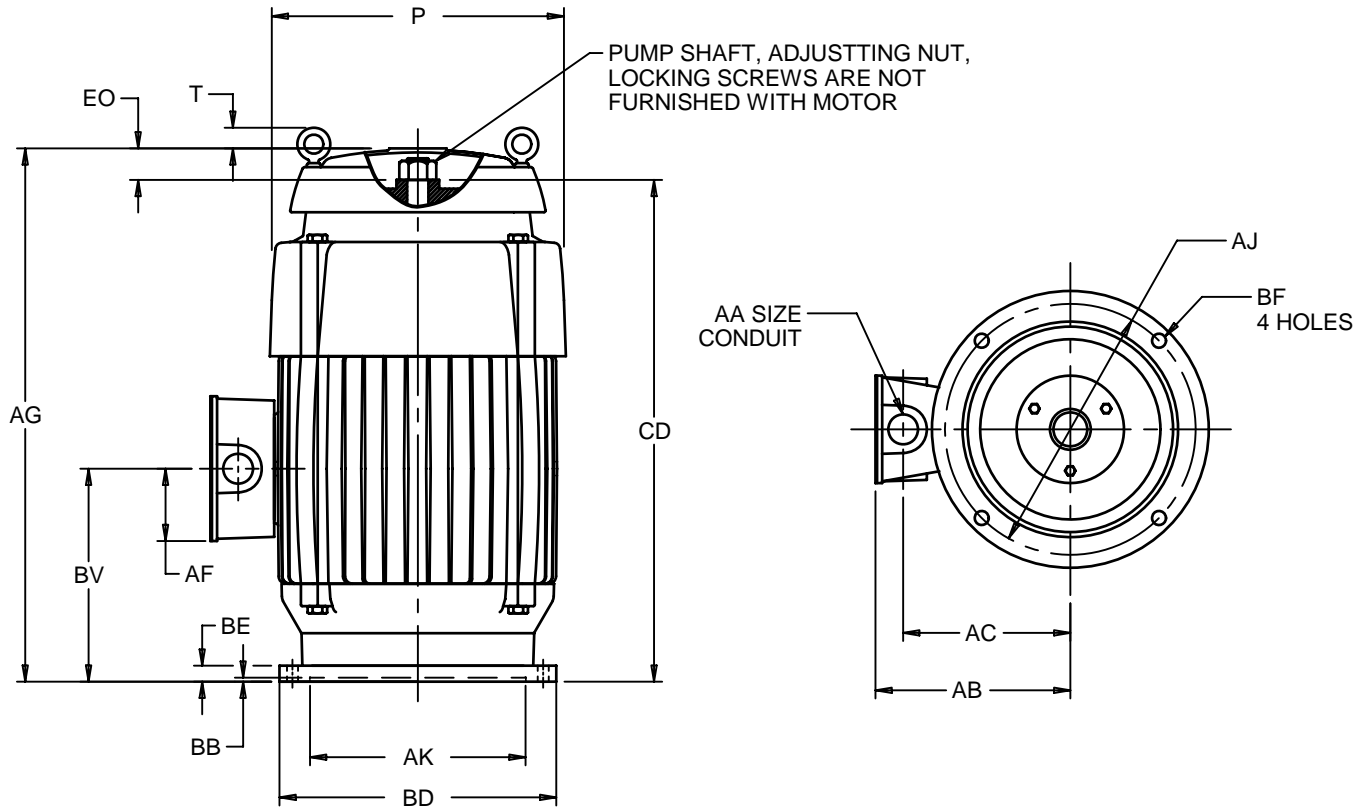
SUPERSEDES:
28-FEB-11

VERTICAL MOTORS

TOTALLY ENCLOSED FAN COOLED
FRAME: 254, 256TP, TPH
BASIC TYPE: TU, TUE, TUS, TUI

PRINT:
09-2297

SHEET:
1 OF 1



ALL DIMENSIONS ARE IN INCHES AND MILLIMETERS

UNITS	P ²	T	AA	AB	AC	AF	AG	AJ
IN	14.44	1.13	1.25	10.25	7.88	3.63	26.25	9.125
MM	367	29		260	200	92	667	231.78

UNITS	AK +.003	BB MIN	BE	BF	BV	CD	EO
IN	8.250	.19	1.00	.44	10.50	22.94	2.94
MM	209.55	5	25	11	268	583	75

FRAME	UNITS	BD MAX
254, 256TP	IN	10.00
	MM	254
254, 256TPH	IN	12.00
	MM	305

- 1: ALL ROUGH DIMENSIONS MAY VARY BY .25" DUE TO CASTING AND/OR FABRICATION VARIATIONS.
- 2: LARGEST MOTOR WIDTH.
- 3: CONDUIT OPENINGS MAY BE LOCATED IN STEPS OF 90 DEGREES REGARDLESS OF LOCATION. STANDARD AS SHOWN WITH CONDUIT OPENING DOWN.
- 4: TOLERANCES SHOWN ARE IN INCHES ONLY.

TOLERANCES	
FACE RUNOUT	.004 T.I.R.
PERMISSIBLE ECCENTRICITY OF MOUNTING RABBET	.004 T.I.R.

09-2297/B

Nidec Motor Corporation
St. Louis, Missouri

INFORMATION DISCLOSED ON THIS DOCUMENT
IS CONSIDERED PROPRIETARY AND SHALL NOT BE
REPRODUCED OR DISCLOSED WITHOUT WRITTEN
CONSENT OF NIDEC MOTOR CORPORATION



ISSUED BY R. KING
APPROVED BY J. O'BRIEN

IHP_DP_NMCA (MAR-2011) SOLIDEDGE