

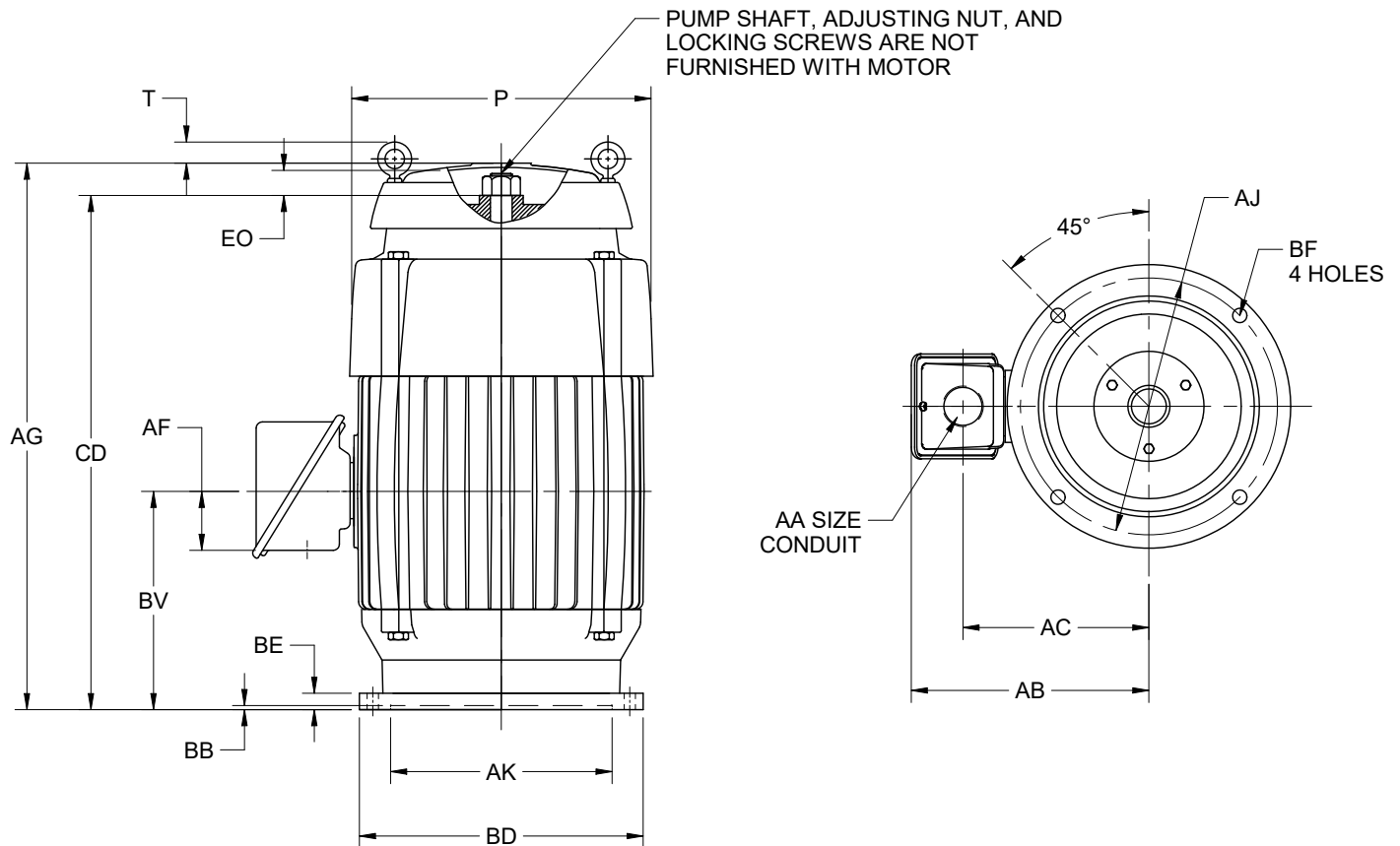
EFFECTIVE:
15-OCT-18

SUPERSEDES:
23-MAY-18

DIMENSION PRINT
TEFC-W/CAST IRON & OVERSIZED OUTLET BOX
FRAME: 320TP, TPH
BASIC TYPE: TUCI

PRINT:
09-2299-14

SHEET:
1 OF 1



ALL DIMENSIONS ARE IN INCHES & MILLIMETERS

UNITS	P ²	T	AA	AB	AC	AF	AG	BE	BV	CD	EO
IN	17.00	-1.25	2.00	15.63	12.27	3.81	35.63	1.00	11.94	28.50	6.88
MM	432	-32		397	312	97	905	25	303	724	175

FRAME	UNITS	AJ	AK	BB MIN	BD MAX	BF
324,326TP	IN	14.750	13.500	.25	16.50	.69
	MM	374.65	342.90	6	419	18
324,326TPH	IN	9.125	8.250	.19	12.00	.44
	MM	231.78	209.55	5	305	11

1. ALL ROUGH CASTING DIMENSIONS MAY VARY BY .25" DUE TO CASTING AND/OR FABRICATION VARIATIONS.
2. LARGEST MOTOR WIDTH.
3. CONDUIT BOX MAY BE LOCATED IN STEPS OF 90° STANDARD AS SHOWN WITH CONDUIT OPENING DOWN.
4. (-) MINUS SIGN INDICATES EYEBOLT IS BELOW THE TOP OF THE UNIT.
5. TOLERANCES SHOWN ARE IN INCHES ONLY.

TOLERANCES	8.250 AK	13.500 AK
FACE RUNOUT	.004 T.I.R.	.007 T.I.R.
PERMISSIBLE ECCENTRICITY OF MOUNTING RABBET	.004 T.I.R.	.007 T.I.R.
"AK" DIMENSION	-.000;+.003	-.000;+.005

09-2299/B

Nidec Motor Corporation
St. Louis, Missouri

INFORMATION DISCLOSED ON THIS DOCUMENT IS CONSIDERED PROPRIETARY AND SHALL NOT BE REPRODUCED OR DISCLOSED WITHOUT WRITTEN CONSENT OF NIDEC MOTOR CORPORATION



ISSUED BY
R. LOPEZ
APPROVED BY
G. CORONADO

IHP_DP_NMCA (MAR-2011) SOLIDEDGE