

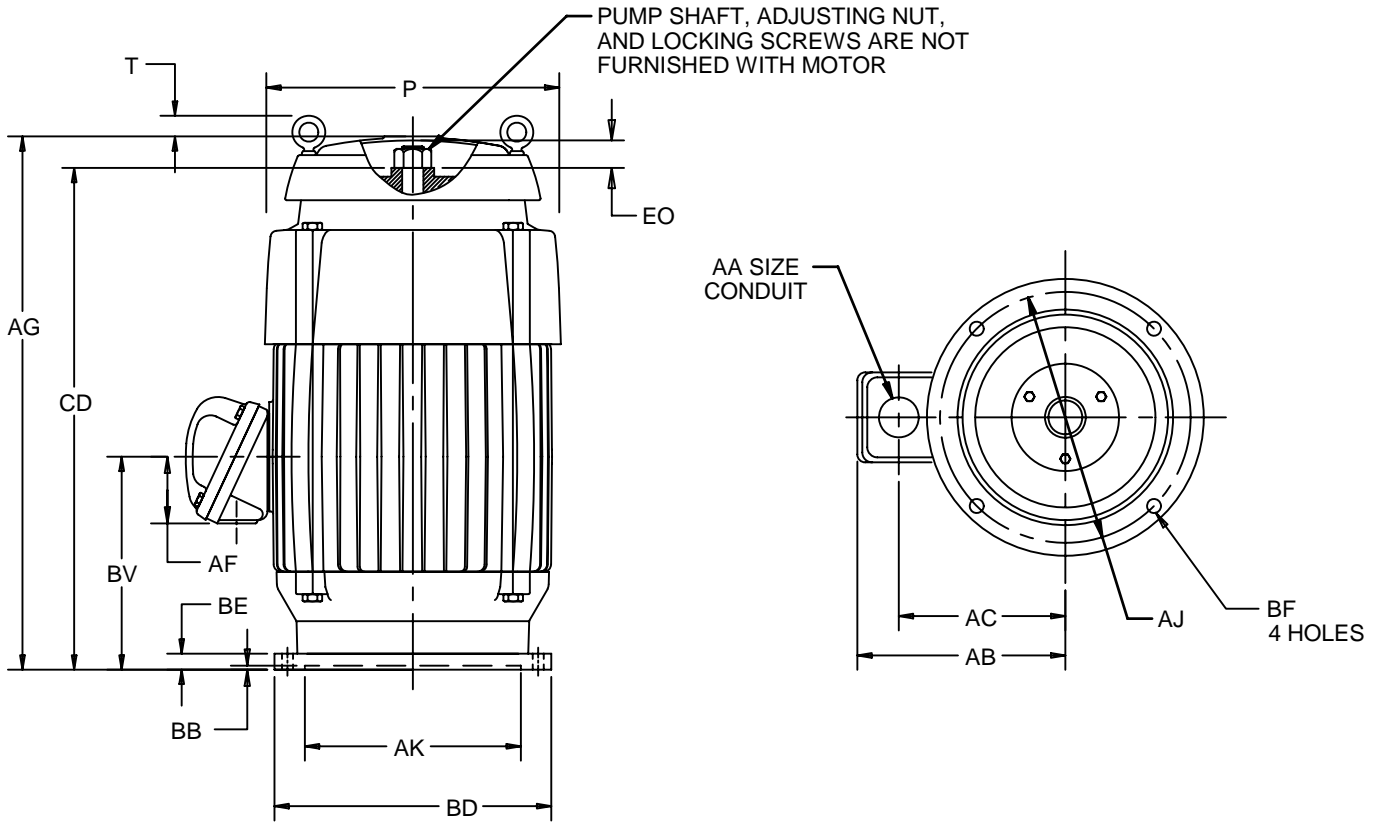
EFFECTIVE:
11-MAR-11

VERTICAL MOTORS
EXPLOSION PROOF
FRAME: 182 THRU 215TP
BASIC TYPE: LU, LUE

PRINT:
09-2303

SUPERSEDES:
17-MAR-04

SHEET:
1 OF 1



ALL DIMENSIONS ARE IN INCHES AND MILLIMETERS

UNITS	P ²	T	AA	AB	AC	AF	AG	AJ
IN	11.06	1.31	1 NPT	9.19	6.81	2.63	21.13	9.125
MM	281	33		233	173	67	537	231.78

UNITS	AK +.003	BB MIN	BD MAX	BE	BF	BV	CD	EO
IN	8.250	.19	10.00	.75	.44	8.00	17.50	3.31
MM	209.55	5	254	19	11	203	445	84

TOLERANCES	
FACE RUNOUT PERMISSIBLE ECCENTRICITY	.004 T.I.R.
OF MOUNTING RABBET	.004 T.I.R.

- 1: ALL ROUGH DIMENSIONS MAY VARY BY .25" DUE TO CASTING AND/OR FABRICATION VARIATIONS.
- 2: LARGEST MOTOR WIDTH.
- 3: CONDUIT OPENINGS MAY BE LOCATED IN STEPS OF 90 DEGREES REGARDLESS OF LOCATION. STANDARD AS SHOWN WITH CONDUIT OPENING DOWN.
- 4: TOLERANCES SHOWN ARE IN INCHES ONLY.

09-2303/B

Nidec Motor Corporation
St. Louis, Missouri

INFORMATION DISCLOSED ON THIS DOCUMENT IS CONSIDERED PROPRIETARY AND SHALL NOT BE REPRODUCED OR DISCLOSED WITHOUT WRITTEN CONSENT OF NIDEC MOTOR CORPORATION



ISSUED BY
R. KING
APPROVED BY
K. POTTER

IHP_DP_NMCA (MAR-2011) SOLIDEDGE