

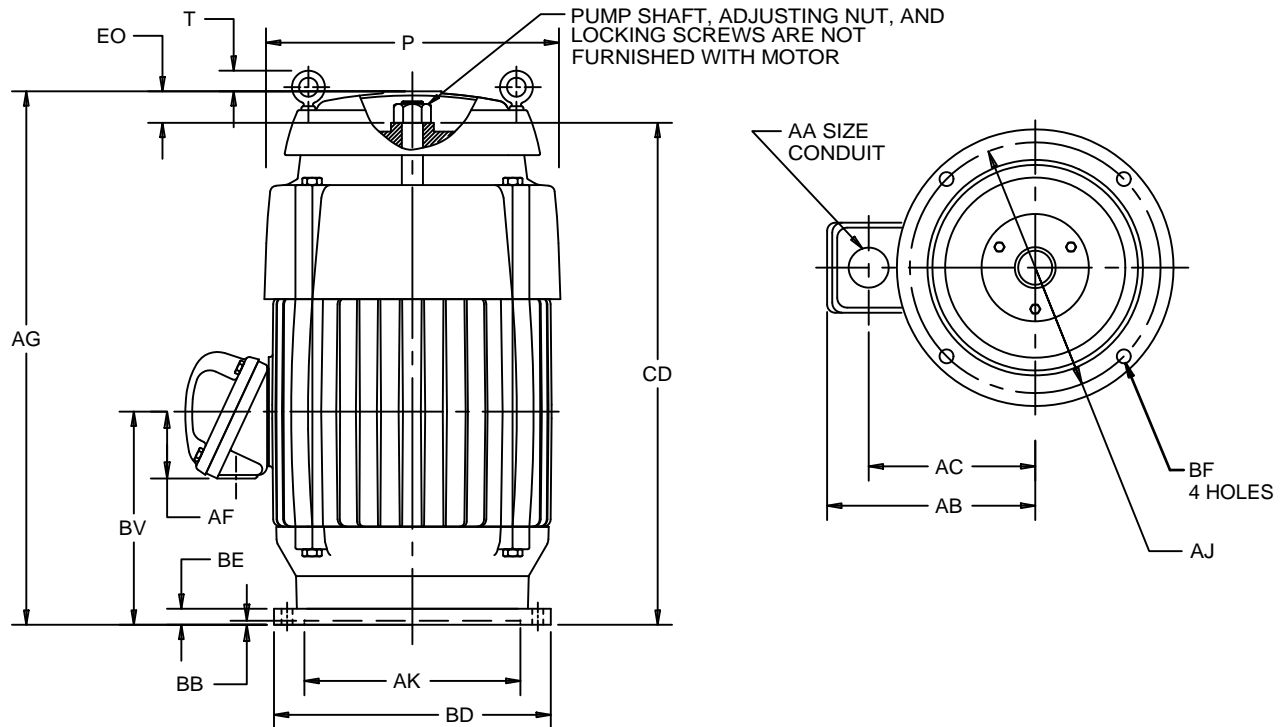
EFFECTIVE:
05-MAR-20

SUPERSEDES:
25-JUL-11

DIMENSION PRINT
EXPLOSION PROOF
FRAME: 250TP, TPH
BASIC TYPE: LU, NU

PRINT:
09-2304

SHEET:
1 OF 1



ALL DIMENSIONS ARE IN INCHES & MILLIMETERS

BASIC FRAME	UNITS	P ²	T	AA	AB	AC	AF	AG	BE	BV	CD	EO
250	IN	13.81	-1.00	1 1/2 NPT	11.06	8.25	3.13	28.63	.59	10.00	22.94	5.50
	mm	351	-25		279	210	80	727	15	254	583	140

FRAME	UNITS	AJ	AK +.003	BB MIN	BD MAX	BF
254,256TP	IN	9.125	8.250	.19	10.00	.44
	mm	231.78	209.55	5	254	11
254,256TPH	IN	9.125	8.250	.19	12.00	.44
	mm	231.78	209.55	5	305	11

1. ALL ROUGH CASTING DIMENSIONS MAY VARY BY .25" DUE TO CASTING AND/OR FABRICATION VARIATIONS.
2. LARGEST MOTOR WIDTH.
3. CONDUIT BOX MAY BE LOCATED IN STEPS OF 90° STANDARD AS SHOWN WITH CONDUIT OPENING DOWN.
4. (-) MINUS SIGN INDICATES EYEBOLT IS BELOW THE TOP OF THE UNIT.
5. TOLERANCES SHOWN ARE IN INCHES ONLY.

TOLERANCES	
FACE RUNOUT	.004 T.I.R.
PERMISSIBLE ECCENTRICITY OF MOUNTING RABBET	.004 T.I.R.

09-2304/A

Nidec Motor Corporation
St. Louis, Missouri

INFORMATION DISCLOSED ON THIS DOCUMENT IS CONSIDERED PROPRIETARY AND SHALL NOT BE REPRODUCED OR DISCLOSED WITHOUT WRITTEN CONSENT OF NIDEC MOTOR CORPORATION



ISSUED BY
R. MARTINEZ
APPROVED BY
G. MARTINEZ

IHP_DP_NMCA (MAR-2011) SOLIDEDGE