

EFFECTIVE:
19-APR-11

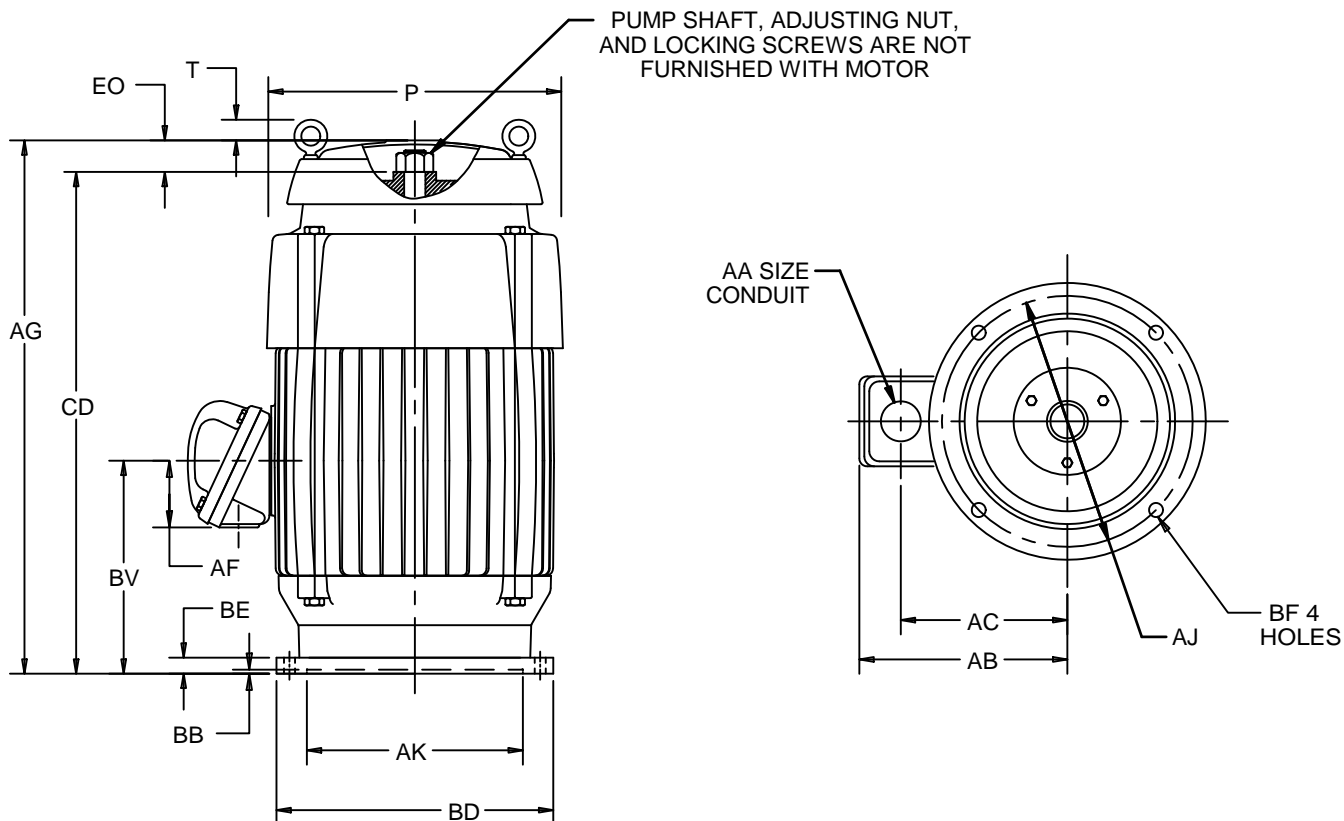
SUPERSEDES:
21-SEP-04

VERTICAL MOTORS

EXPLOSION PROOF
FRAME: 364, 365TP
BASIC TYPE: LU

PRINT:
09-2307

SHEET:
1 OF 1



ALL DIMENSIONS ARE IN INCHES AND MILLIMETERS

UNITS	P ²	T ⁴	AA	AB	AC	AF	AG	AJ
IN	18.75	-1.69	3 NPT	17.56	12.25	4.56	36.13	14.750
MM	476	-43		446	311	116	918	374.65

UNITS	AK +.005	BB MIN	BD MAX	BE	BF	BV	CD	EO
IN	13.500	.25	16.50	1.00	.69	13.00	30.00	5.94
MM	342.90	6	419	25	18	330	762	151

TOLERANCES	
FACE RUNOUT PERMISSIBLE ECCENTRICITY	.007 T.I.R.
OF MOUNTING RABBET	.007 T.I.R.

1. ALL ROUGH DIMENSIONS MAY VARY BY .25" DUE TO CASTING AND/OR FABRICATION VARIATIONS.
2. LARGEST MOTOR WIDTH.
3. CONDUIT OPENINGS MAY BE LOCATED IN STEPS OF 90 DEGREES REGARDLESS OF LOCATION. STANDARD AS SHOWN WITH CONDUIT OPENING DOWN.
4. (-) MINUS SIGN INDICATES EYEBOLT IS BELOW THE TOP OF THE UNIT.
5. TOLERANCES SHOWN ARE IN INCHES ONLY.

09-2307/C

Nidec Motor Corporation
St. Louis, Missouri

INFORMATION DISCLOSED ON THIS DOCUMENT
IS CONSIDERED PROPRIETARY AND SHALL NOT BE
REPRODUCED OR DISCLOSED WITHOUT WRITTEN
CONSENT OF NIDEC MOTOR CORPORATION



ISSUED BY
L. CUESTA
APPROVED BY
N. ACOSTA

IHP_DP_NMCA (MAR-2011) SOLIDEDGE