

EFFECTIVE:  
**20-JUL-11**

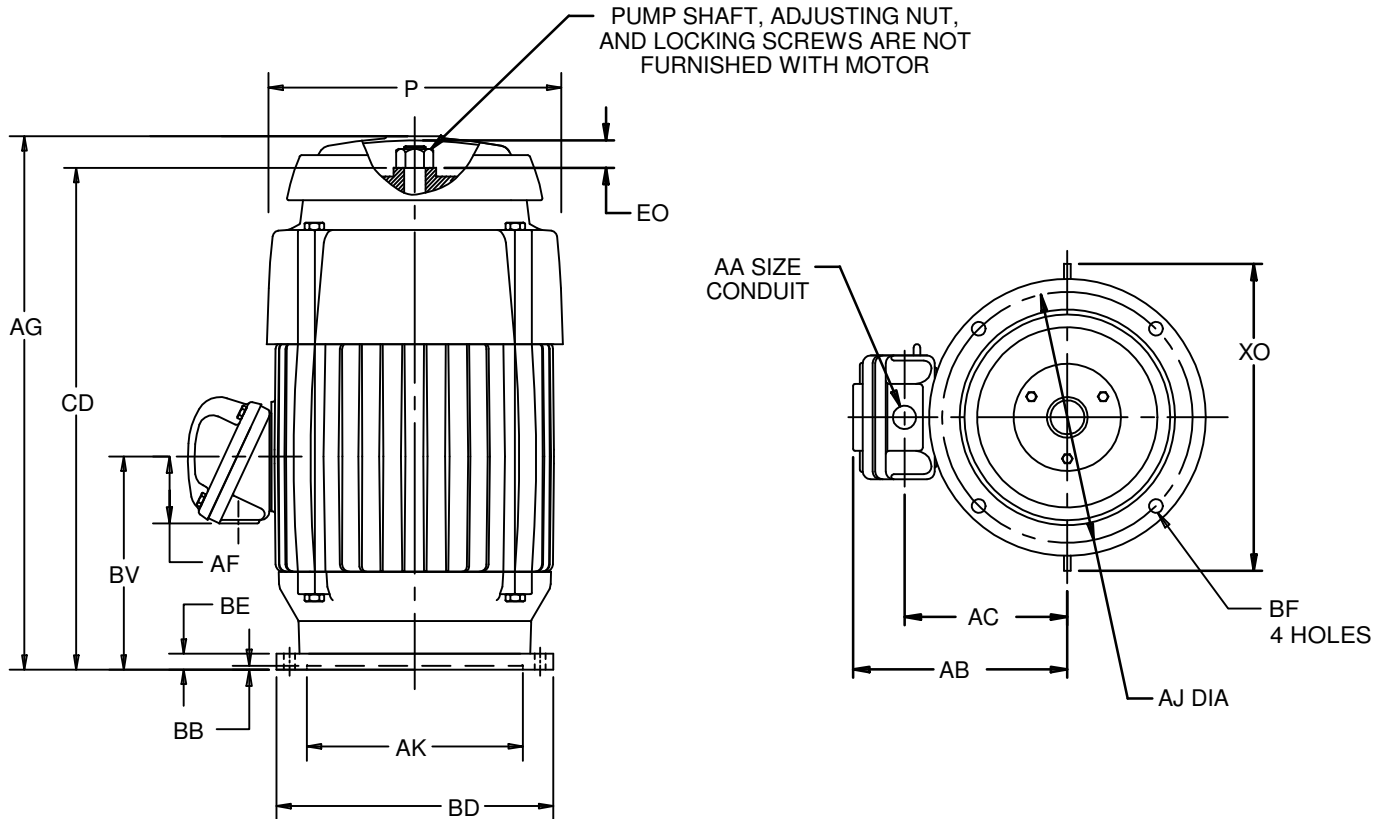
SUPERSEDES:  
**17-JAN-06**

# VERTICAL MOTORS EXPLOSION PROOF

FRAME: 404, 405TP, TPA  
BASIC TYPE: LU, NU, LUC, NUC

PRINT:  
**09-2308**

SHEET:  
**1 OF 1**



ALL DIMENSIONS ARE IN INCHES AND MILLIMETERS

UNITS	P <sup>2</sup>	AA	AB	AC	AF	AG	AJ	AK +.005
IN	24.31	3 NPT	18.81	13.75	4.56	46.44	14.750	13.500
MM	617		478	349	116	1180	374.65	342.90

UNITS	BB MIN	BE	BF	BV	CD	EO	XO
IN	.25	1.00	.69	15.63	39.94	6.06	24.63
MM	6	25	18	397	1014	154	626

FRAME	UNITS	BD MAX
400TP	IN	16.50
	MM	419
400TPA	IN	20.00
	MM	508

TOLERANCES	
FACE RUNOUT	.007 T.I.R.
PERMISSIBLE ECCENTRICITY OF MOUNTING RABBET	.007 T.I.R.

1. ALL ROUGH DIMENSIONS MAY VARY BY .25" DUE TO CASTING AND/OR FABRICATION VARIATIONS.
2. LARGEST MOTOR WIDTH.
3. CONDUIT OPENINGS MAY BE LOCATED IN STEPS OF 90 DEGREES REGARDLESS OF LOCATION. STANDARD AS SHOWN WITH CONDUIT OPENING DOWN.
4. TOLERANCES SHOWN ARE IN INCHES ONLY.

09-2308/C

**Nidec Motor Corporation**  
St. Louis, Missouri

INFORMATION DISCLOSED ON THIS DOCUMENT IS CONSIDERED PROPRIETARY AND SHALL NOT BE REPRODUCED OR DISCLOSED WITHOUT WRITTEN CONSENT OF NIDEC MOTOR CORPORATION



ISSUED BY  
**E. WENDT**  
APPROVED BY  
**K. POTTER**

IHP\_DP\_NMCA (MAR-2011) SOLIDEDGE