

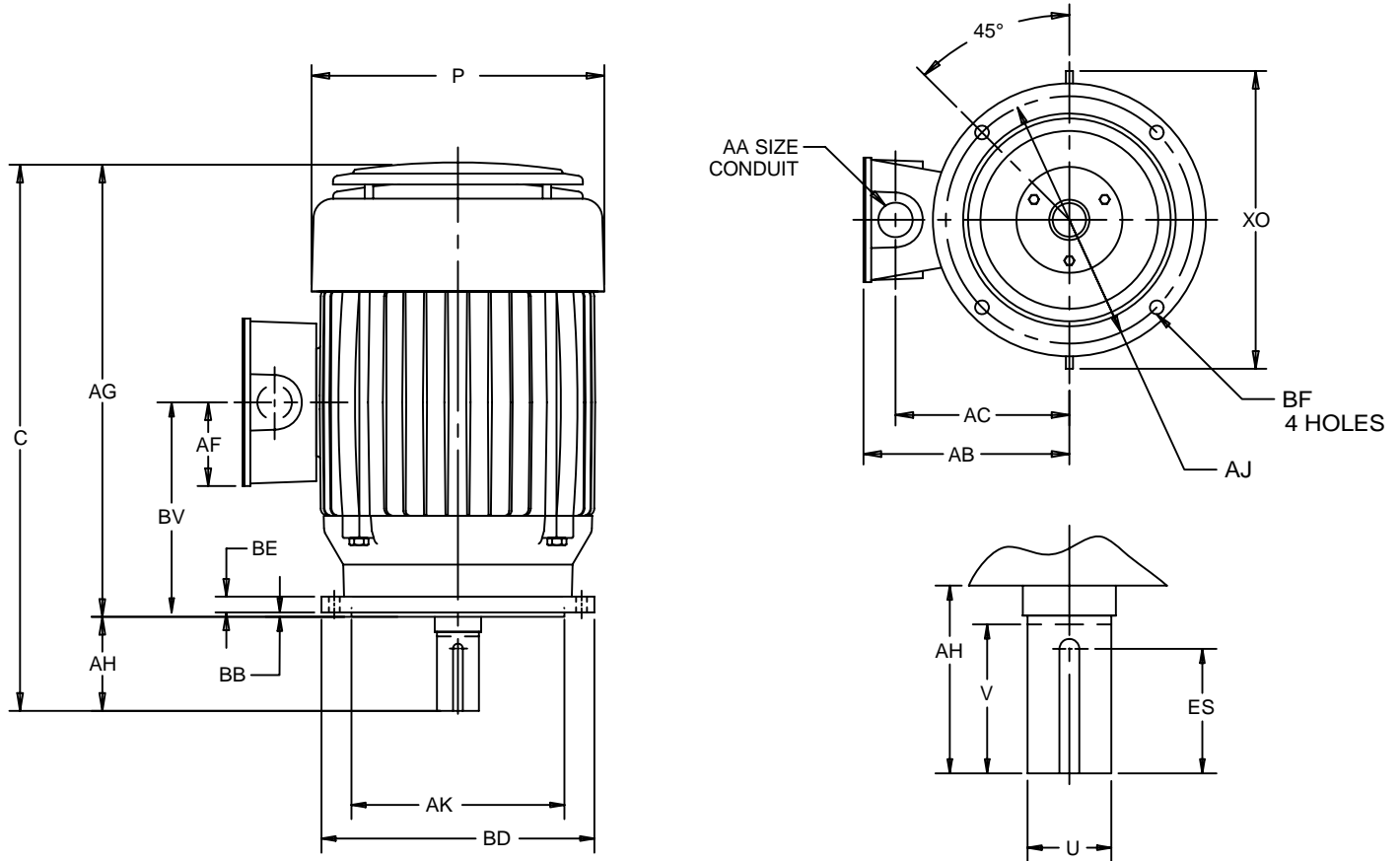
EFFECTIVE:  
26-JUL-12

**VERTICAL MOTORS**  
WEATHER PROTECTED TYPE I  
FRAME: 213, 215TCV  
BASIC TYPE: AV

PRINT:  
09-2317

SUPERSEDES:  
01-AUG-11

SHEET:  
1 OF 1



ALL DIMENSIONS ARE IN INCHES AND MILLIMETERS

UNITS	C	P <sup>4</sup>	U -.0005	V MIN	AA	AB	AC	AF	AG	AH
IN	22.38	11.25	1.3750	3.13	1.00	7.88	6.61	3.19	19.25	3.13
MM	568	286	34.925	80		200	168	81	489	80

UNITS	AJ	AK -.003	BB MIN	BD MAX	BF <sup>4</sup>	BV	ES MIN	XO	SQ KEY
IN	7.250	8.500	.25	9.00	1/2 13 X .75	8.00	2.41	12.75	.313
MM	184.15	215.90	6	229		203	61	324	7.95

1. ALL ROUGH DIMENSIONS MAY VARY BY .25" DUE TO CASTING AND/OR FABRICATION VARIATIONS.
2. LARGEST MOTOR WIDTH.
3. CONDUIT OPENINGS MAY BE LOCATED IN STEPS OF 90 DEGREES REGARDLESS OF LOCATION. STANDARD AS SHOWN WITH CONDUIT OPENING DOWN.
4. TAP SIZE AND BOLT PENETRATION ALLOWANCE.
5. ALL TAPPED HOLES ARE UNIFIED NATIONAL COARSE, RIGHT HAND THREAD.
6. TOLERANCES SHOWN ARE IN INCHES ONLY.

TOLERANCES	
FACE RUNOUT	.004 T.I.R.
PERMISSIBLE ECCENTRICITY OF MOUNTING RABBET	.004 T.I.R.
PERMISSIBLE SHAFT RUNOUT	.002 T.I.R.

09-2317/B

**Nidec Motor Corporation**  
St. Louis, Missouri

INFORMATION DISCLOSED ON THIS DOCUMENT IS CONSIDERED PROPRIETARY AND SHALL NOT BE REPRODUCED OR DISCLOSED WITHOUT WRITTEN CONSENT OF NIDEC MOTOR CORPORATION



ISSUED BY  
**R. KING**  
APPROVED BY  
**J. O'BRIEN**

IHP\_DP\_NMCA (MAR-2011) SOLIDEDGE