

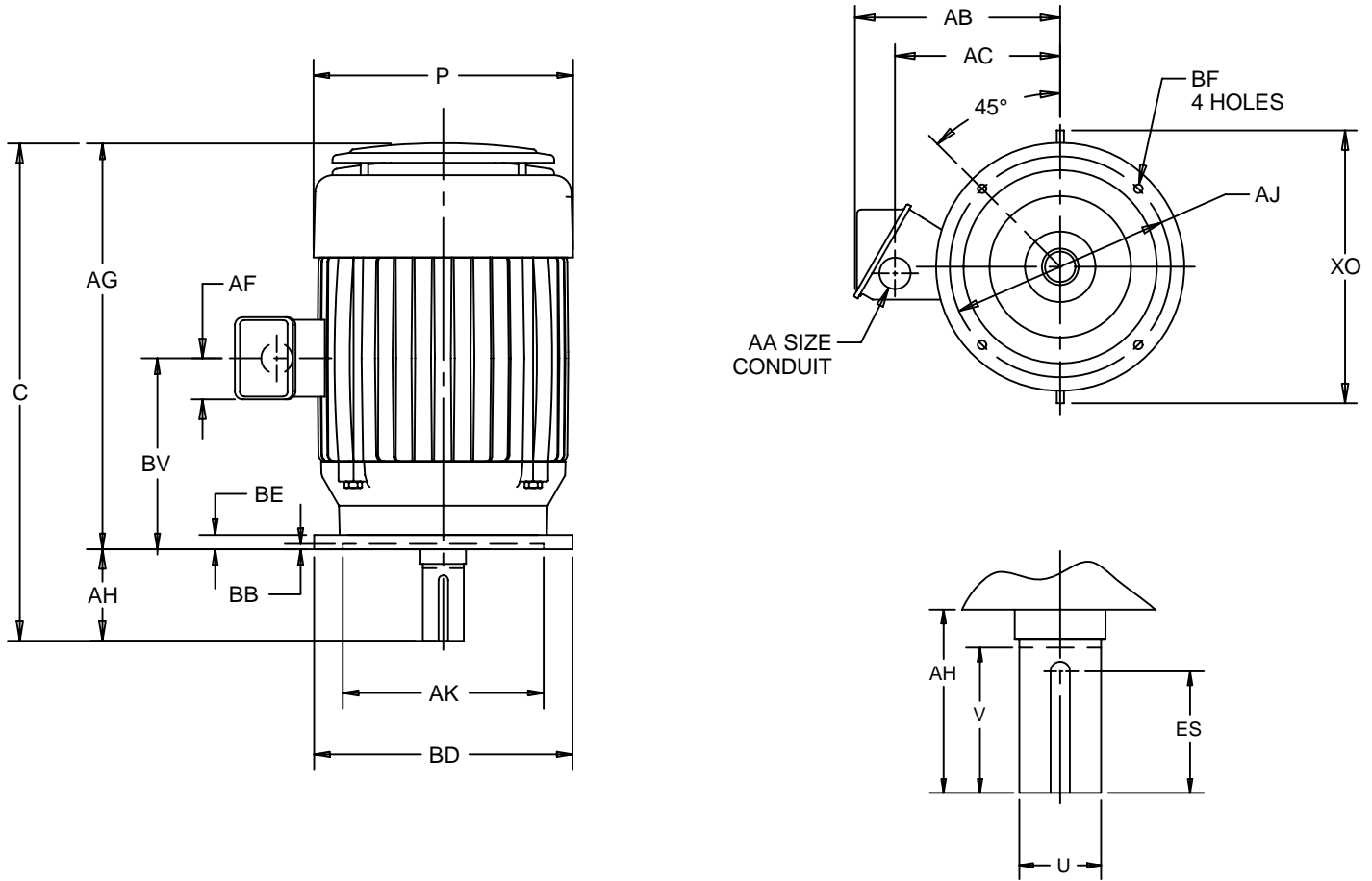
EFFECTIVE:
26-JUL-12

SUPERSEDES:
01-AUG-11

VERTICAL MOTORS
WEATHER PROTECTED TYPE I
FRAME: 254, 256TCV
BASIC TYPE: AV

PRINT:
09-2318

SHEET:
1 OF 1



ALL DIMENSIONS ARE IN INCHES AND MILLIMETERS

UNITS	C	P ⁴	U -.001	V MIN	AA	AB	AC	AF	AG	AH ±.063
IN	24.94	13.38	1.625	3.75	1.25	10.25	7.88	2.03	20.69	3.750
MM	633	340	41.28	95		260	200	52	526	95

UNITS	AJ	AK +.003	BB MIN	BD MAX	BF ²	BV	ES MIN	XO	SQ KEY
IN	7.250	8.500	.25	10.00	1/2 13 X .75	12.69	2.91	16.88	.375
MM	184.15	215.90	6	254		322	74	429	9.53

- 1: ALL ROUGH DIMENSIONS MAY VARY BY .25" DUE TO CASTING AND/OR FABRICATION VARIATIONS.
- 2: TAP SIZE AND BOLT PENETRATION ALLOWANCE.
- 3: LARGEST MOTOR WIDTH.
- 4: CONDUIT OPENING MAY BE LOCATED IN STEPS OF 180 DEGREES. STANDARD AS SHOWN WITH CONDUIT OPENING DOWN.
- 5: ALL TAPPED HOLES ARE UNIFIED COARSE, RIGHT HAND THREAD.
- 6: TOLERANCES SHOWN ARE IN INCHES ONLY.

TOLERANCES	
FACE RUNOUT	.004 T.I.R.
PERMISSIBLE ECCENTRICITY OF MOUNTING RABBET	.004 T.I.R.
PERMISSIBLE SHAFT RUNOUT	.002 T.I.R.

09-2318/B

Nidec Motor Corporation
St. Louis, Missouri

INFORMATION DISCLOSED ON THIS DOCUMENT IS CONSIDERED PROPRIETARY AND SHALL NOT BE REPRODUCED OR DISCLOSED WITHOUT WRITTEN CONSENT OF NIDEC MOTOR CORPORATION



ISSUED BY
R. KING
APPROVED BY
J. O'BRIEN

IHP_DP_NMCA (MAR-2011) SOLIDEDGE