

EFFECTIVE:  
26-JUL-12

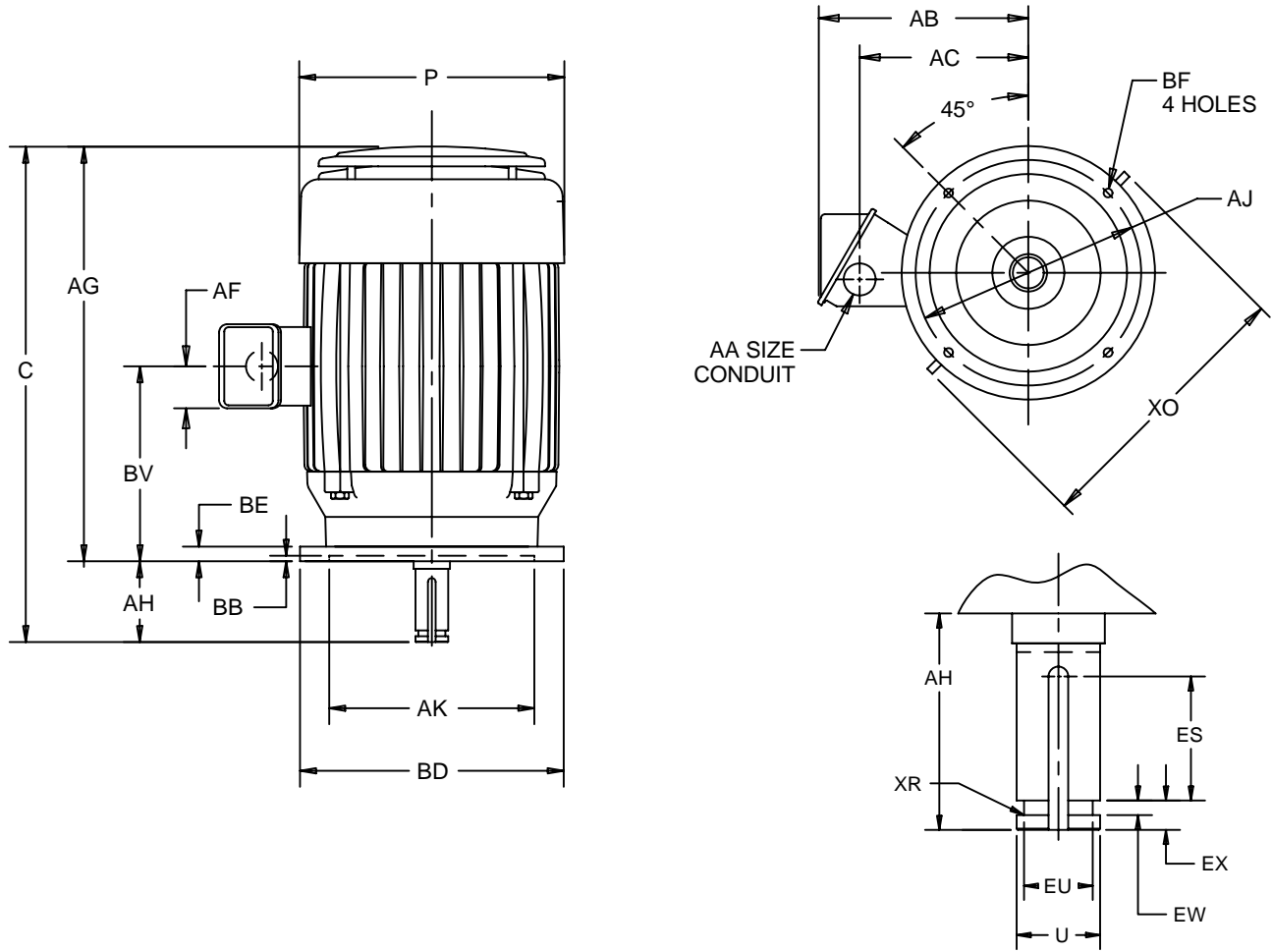
SUPERSEDES:  
11-APR-11

# VERTICAL MOTORS

WPI TYPE 1  
FRAME: 254, 256VP, VPH  
BASIC TYPE: AV

PRINT:  
09-2322

SHEET:  
1 OF 1



ALL DIMENSIONS ARE IN INCHES AND MILLIMETERS

UNITS	C	P <sup>2</sup>	U -.0005	AA	AB	AC	AF	AG	AH ±.0063	AJ	AK +.003
IN	22.00	13.38	1.1250	1.25	10.25	7.88	2.03	19.25	2.750	9.125	8.250
MM	559	340	28.575		260	200	52	489	69.85	231.78	209.55

UNITS	BB MIN	BE	BF	BV	ES MIN	EU -.005	EW +.002	EX -.005	XO	XR	SQ KEY
IN	.19	.94	.44	12.75	1.31	.875	.375	.750	16.88	.03	.250
MM	5	24	11	324	33	22.23	9.53	19.05	429	1	6.35

FRAME	UNITS	BD MAX
254, 256VP	IN	10.00
	MM	254
254, 256VPH	IN	12.00
	MM	305

- 1: ALL ROUGH DIMENSIONS MAY VARY BY .25" DUE TO CASTING AND/OR FABRICATION VARIATIONS.
- 2: LARGEST MOTOR WIDTH.
- 3: CONDUIT OPENING MAY BE LOCATED IN STEPS OF 180 DEGREES. STANDARD AS SHOWN WITH CONDUIT OPENING DOWN.
- 4: TOLERANCES SHOWN ARE IN INCHES ONLY.

TOLERANCES	
FACE RUNOUT	.004 T.I.R.
PERMISSIBLE ECCENTRICITY OF MOUNTING RABBET	.004 T.I.R.
PERMISSIBLE SHAFT RUNOUT	.002 T.I.R.

09-2322/B

**Nidec Motor Corporation**  
St. Louis, Missouri

INFORMATION DISCLOSED ON THIS DOCUMENT IS CONSIDERED PROPRIETARY AND SHALL NOT BE REPRODUCED OR DISCLOSED WITHOUT WRITTEN CONSENT OF NIDEC MOTOR CORPORATION



ISSUED BY  
**R. KING**  
APPROVED BY  
**J. O'BRIEN**

IHP\_DP\_NMCA (MAR-2011) SOLIDEDGE