

EFFECTIVE:

26-JUL-12

SUPERSEDES:

08-APR-11

VERTICAL MOTORS

WEATHER PROTECTED TYPE I

FRAME: 284VP THRU 286VPHZ

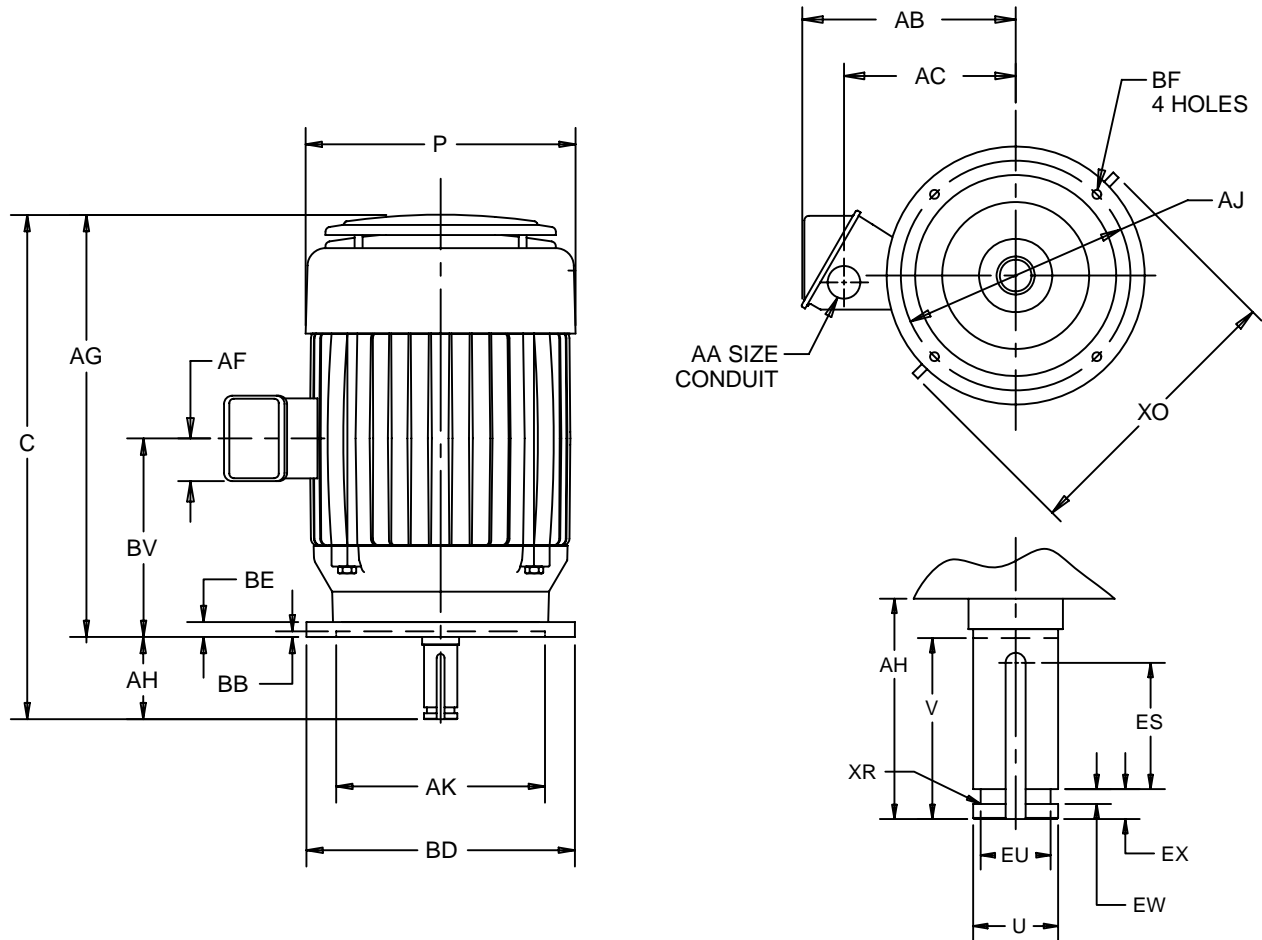
BASIC TYPE: AV

PRINT:

09-2323

SHEET:

1 OF 1



ALL DIMENSIONS ARE IN INCHES AND MILLIMETERS

UNITS	P ²	AA	AB	AC	AF	AG	BE	BV	EW +.002	EX -.005	XO	XR
IN	14.00	1.50	11.07	8.32	2.59	21.75	1.00	14.75	.375	.750	16.88	.03
MM	356		281	211	66	552	25	375	9.53	19.05	429	1

FRAME	UNITS	C	U -.001	V MIN	AH -.062	AJ	AK	BB MIN	BD MAX	BF	ES MIN	EU -.005	SQ KEY
284,286VPZ	IN	26.25	1.625	4.50	4.500	9.125	8.250	.19	10.00	.44	3.06	1.250	.375
	MM	667	41.28	114	114.30	231.78	209.55	5	254	11	78	31.75	9.53
284,286VPAZ	IN	26.25	1.625	4.50	4.500	9.125	8.250	.19	12.00	.44	3.06	1.250	.375
	MM	667	41.28	114	114.30	231.78	209.55	5	305	11	78	31.75	9.53
284,286VPHZ	IN	26.25	1.625	4.50	4.500	14.750	13.500	.25	16.50	.69	3.06	1.250	.375
	MM	667	41.28	114	114.30	374.65	342.90	6	419	18	78	31.75	9.53
284,286VP	IN	24.50	1.1250	2.75	2.750	9.125	8.250	.19	10.00	.44	1.31	.875	.250
	MM	622	28.575	70	69.85	231.78	209.55	5	254	11	33	22.23	6.35
284,286VPA	IN	24.50	1.1250	2.75	2.750	9.125	8.250	.19	12.00	.44	1.31	.875	.250
	MM	622	28.575	70	69.85	231.78	209.55	5	305	11	33	22.23	6.35
284,286VPH	IN	24.50	1.1250	2.75	2.750	14.750	13.500	.25	16.50	.69	1.31	.875	.250
	MM	622	28.575	70	69.85	374.65	342.90	6	49	18	33	22.23	6.35

1. ALL ROUGH DIMENSIONS MAY VARY BY .25" DUE TO CASTING AND/OR FABRICATION VARIATIONS.
2. LARGEST MOTOR WIDTH.
3. CONDUIT OPENINGS MAY BE LOCATED IN STEPS OF 180°. STANDARD AS SHOWN WITH CONDUIT OPENING DOWN.
4. TOLERANCES SHOWN ARE IN INCHES ONLY.
5. SHAFT EXTENSION DIAMETER TOLERANCE: +.0000;-.0005 UP TO 1-1/2" INCLUSIVE.
LARGE DIMETERS: +.000;-.001

TOLERANCES	8.250 AK	13.500 AK
FACE RUNOUT	.004 T.I.R.	.007 T.I.R.
PERMISSIBLE ECCENTRICITY OF MOUNTING RABBET	.004 T.I.R.	.007 T.I.R.
PERMISSIBLE SHAFT RUNOUT	.002 T.I.R.	.002 T.I.R.
TOLERANCE ON AK-DIMENSION	+.003	+.005

09-2323/C

Nidec Motor Corporation
St. Louis, Missouri

INFORMATION DISCLOSED ON THIS DOCUMENT IS CONSIDERED PROPRIETARY AND SHALL NOT BE REPRODUCED OR DISCLOSED WITHOUT WRITTEN CONSENT OF NIDEC MOTOR CORPORATION



ISSUED BY

R. KING

APPROVED BY

J. O'BRIEN

IHP_DP_NMCA (MAR-2011) SOLIDEDGE