

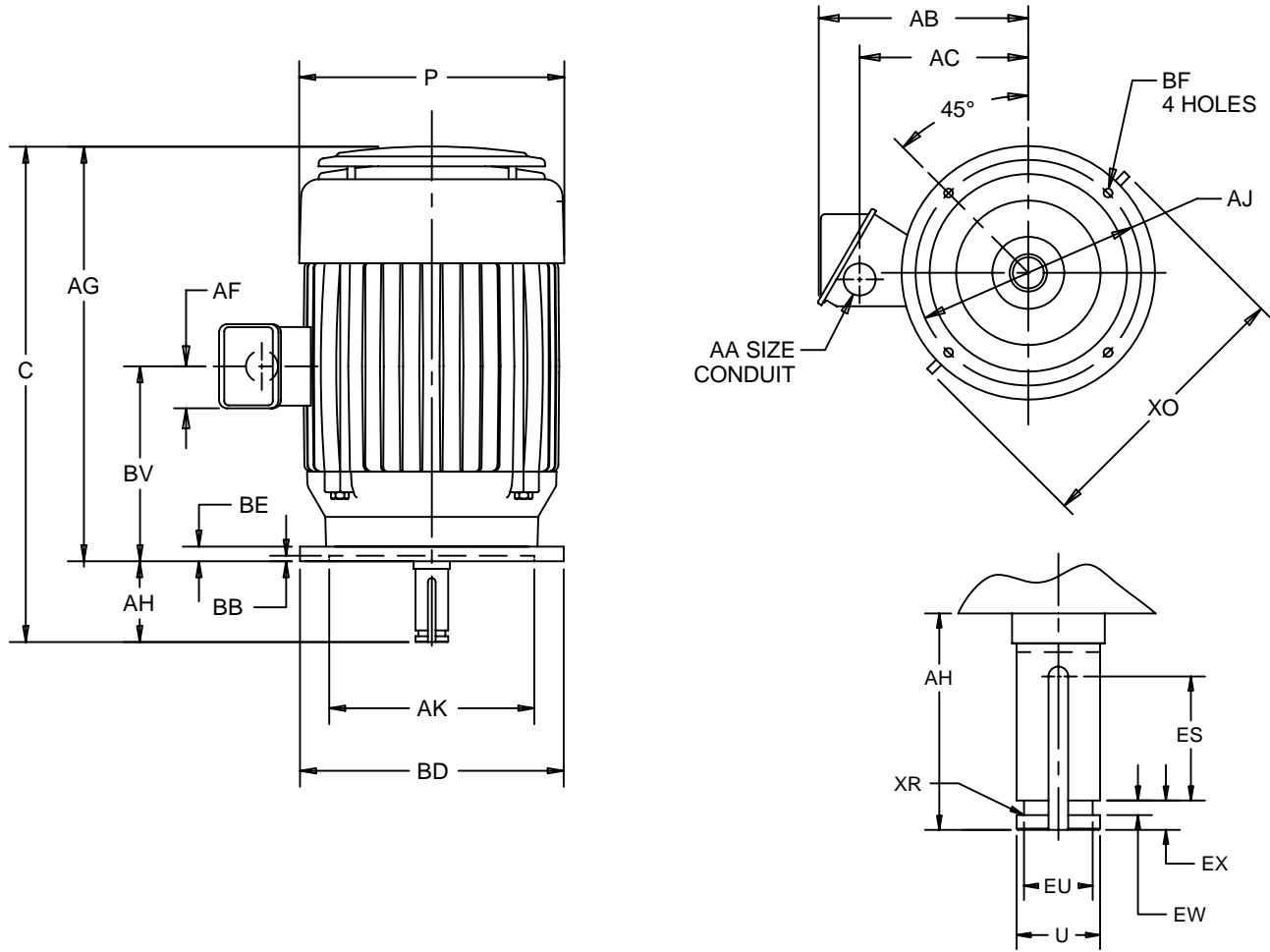
EFFECTIVE:  
26-JUL-12

**VERTICAL MOTORS**  
WEATHER PROTECTED TYPE 1  
FRAME: 254, 256VP, VPH  
BASIC TYPE: AV4

PRINT:  
09-2326

SUPERSEDES:  
22-JUL-11

SHEET:  
1 OF 1



ALL DIMENSIONS ARE IN INCHES AND MILLIMETERS

UNITS	C	P <sup>2</sup>	U -.0005	AA	AB	AC	AF	AG	AH ±.063	AJ
IN	22.00	13.38	1.1250	1.25	10.25	7.88	2.03	19.25	2.750	9.125
MM	559	340	28.575		260	200	52	489	69.85	231.78

UNITS	AK +.003	BB MIN	BE	BF	BV	ES MIN	EU -.005	EW +.002	EX -.005	XO	XR	SQ KEY
IN	8.250	.25	.94	.44	12.75	1.88	.875	.375	.750	16.88	.03	.250
MM	209.55	6	24	11	324	48	22.23	9.53	19.05	429	1	6.35

FRAME	UNITS	BD MAX
254, 256VP	IN	10.00
	MM	254
254, 256VPH	IN	12.00
	MM	305

- 1: ALL ROUGH DIMENSIONS MAY VARY BY .25" DUE TO CASTING AND/OR FABRICATION VARIATIONS.
- 2: LARGEST MOTOR WIDTH.
- 3: CONDUIT OPENING MAY BE LOCATED IN STEPS OF 180 DEGREES. STANDARD AS SHOWN WITH CONDUIT OPENING DOWN.
- 4: TOLERANCES SHOWN ARE IN INCHES ONLY.

TOLERANCES	
FACE RUNOUT	.004 T.I.R.
PERMISSIBLE ECCENTRICITY OF MOUNTING RABBET	.004 T.I.R.
PERMISSIBLE SHAFT RUNOUT	.002 T.I.R.

09-2326/B

**Nidec Motor Corporation**  
St. Louis, Missouri

INFORMATION DISCLOSED ON THIS DOCUMENT IS CONSIDERED PROPRIETARY AND SHALL NOT BE REPRODUCED OR DISCLOSED WITHOUT WRITTEN CONSENT OF NIDEC MOTOR CORPORATION



ISSUED BY  
**R. KING**  
APPROVED BY  
**J. O'BRIEN**

IHP\_DP\_NMCA (MAR-2011) SOLIDEDGE