

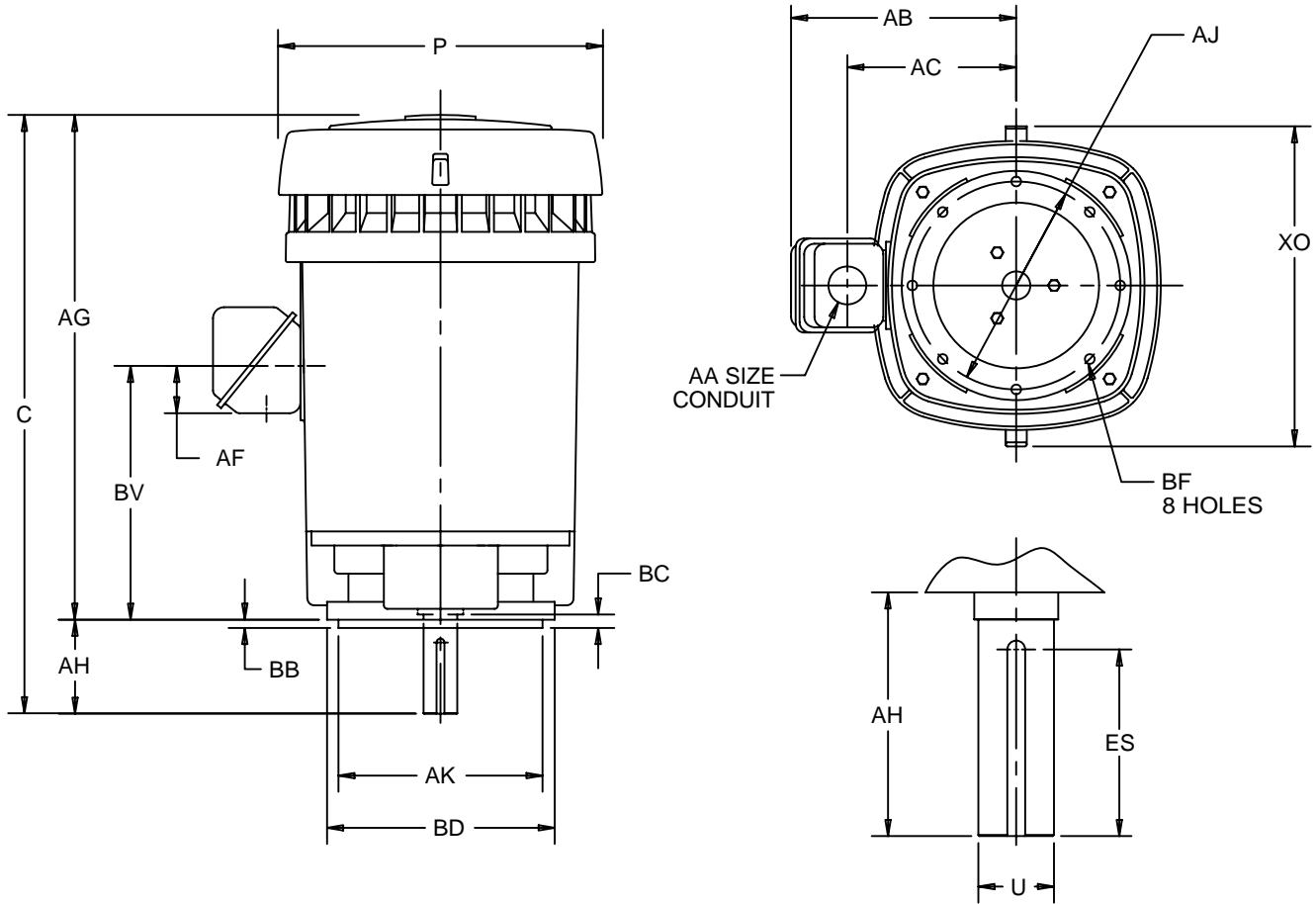
EFFECTIVE:
28-JUL-11

VERTICAL MOTORS
WEATHER PROTECTED TYPE 1
FRAME: 324, 326TCV
BASIC TYPE: RV

PRINT:
09-2328

SUPERSEDES:
17-OCT-01

SHEET:
1 OF 1



ALL DIMENSIONS ARE IN INCHES AND MILLIMETERS

UNITS	C	P ²	U -.001	AA	AB	AC	AF	AG	AH	AJ
IN	29.94	18.25	2.125	3.00	15.88	11.56	3.38	24.94	5.00	11.000
MM	760	464	53.98		403	294	86	633	127	279.40

UNITS	AK +.005	BB MIN	BC	BD MAX	BF ⁴	BV	ES MIN	XO	SQ KEY
IN	12.500	.25	.25	14.00	5/8-11 X .94	12.38	3.94	20.94	.500
MM	317.50	6	6	356		414	100	532	12.70

- 1: ALL ROUGH DIMENSIONS MAY VARY BY .25" DUE TO CASTING AND/OR FABRICATION VARIATIONS.
- 2: LARGEST MOTOR WIDTH.
- 3: CONDUIT OPENINGS MAY BE LOCATED IN STEPS OF 90 DEGREES REGARDLESS OF LOCATION. STANDARD AS SHOWN WITH CONDUIT OPENING DOWN.
- 4: TAP SIZE AND BOLT PENETRATION ALLOWANCE.
- 5: ALL TAPPED HOLES ARE UNIFIED NATIONAL COARSE, RIGHT HAND THREAD.
- 6: TOLERANCES SHOWN ARE IN INCHES ONLY.

TOLERANCES	
FACE RUNOUT	.007 T.I.R.
PERMISSIBLE ECCENTRICITY OF MOUNTING RABBET	.007 T.I.R.
PERMISSIBLE SHAFT RUNOUT	.003 T.I.R.

09-2328/A

Nidec Motor Corporation
St. Louis, Missouri

INFORMATION DISCLOSED ON THIS DOCUMENT IS CONSIDERED PROPRIETARY AND SHALL NOT BE REPRODUCED OR DISCLOSED WITHOUT WRITTEN CONSENT OF NIDEC MOTOR CORPORATION



ISSUED BY
R. KING
APPROVED BY
K. POTTER

IHP_DP_NMCA (MAR-2011) SOLIDEDGE