

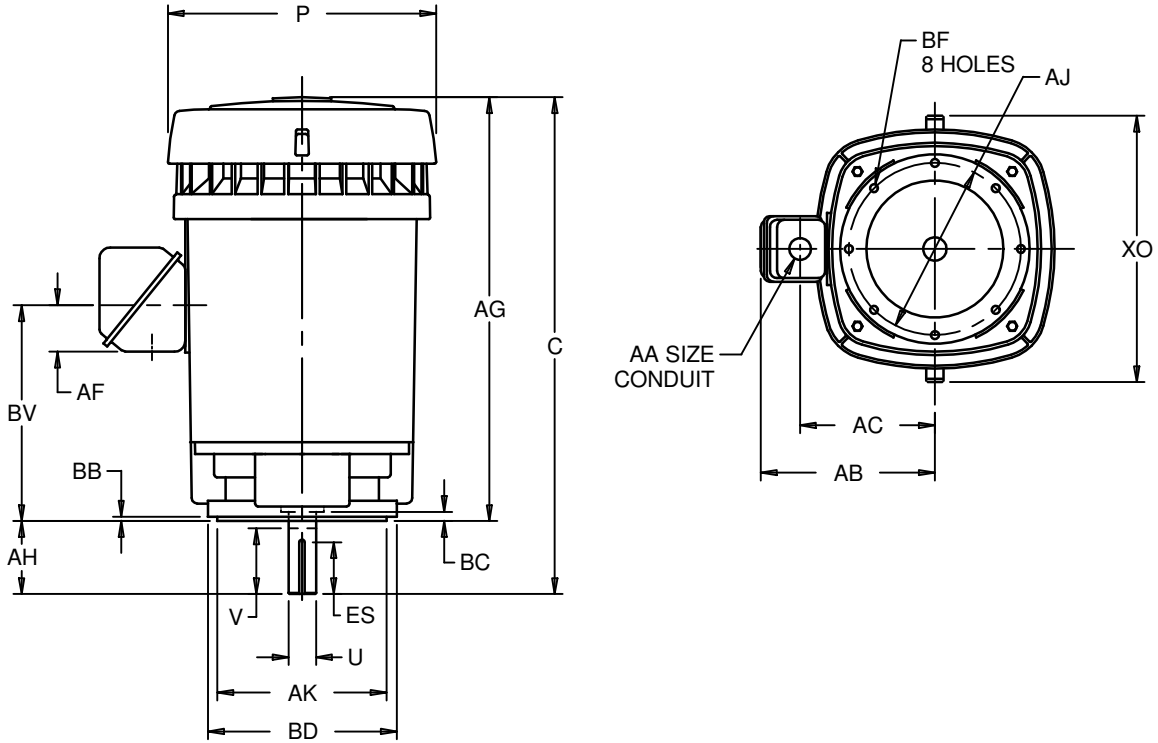
EFFECTIVE:
10-MAR-11

VERTICAL MOTORS
WEATHER PROTECTED TYPE 1
FRAME: 364, 365TCV
BASIC TYPE: RV

PRINT:
09-2329

SUPERSEDES:
18-OCT-01

SHEET:
1 OF 1



DIMENSIONS ARE IN INCHES AND MILLIMETERS

UNITS	C	P ⁵	U -.001	V MIN	AA	AB	AC	AF	AG	AH	AJ
IN	33.50	18.25	2.375	5.63	3.00	15.84	11.56	3.38	27.88	5.63	11.000
MM	851	464	60.33	143		402	294	86	708	143	279.40

UNITS	AK -.005	BB MIN	BC	BD MAX	BF ²	BV	ES MIN	SQ KEY	XO
IN	12.500	.25	.25	14.00	5/8-11 x .94	15.31	4.28	.625	20.94
MM	317.50	6	6	356		389	109	15.88	532

TOLERANCES	
FACE RUNOUT	.007 T.I.R.
PERMISSIBLE ECCENTRICITY OF MOUNTING RABBET	.007 T.I.R.
PERMISSIBLE SHAFT RUNOUT	.003 T.I.R.

- 1 : ALL ROUGH DIMENSIONS MAY VARY BY .25" DUE TO CASTING AND/OR FABRICATION VARIATIONS.
- 2 : TAP SIZE AND BOLT PENETRATION ALLOWANCE.
- 3 : ALL TAPPED HOLES ARE UNIFIED NATIONAL COARSE, RIGHT HAND THREAD.

- 4 : CONDUIT OPENINGS MAY BE LOCATED IN STEPS OF 90 DEGREES, STANDARD AS SHOWN WITH CONDUIT OPENING DOWN.
- 5 : LARGEST MOTOR WIDTH.
- 6 : TOLERANCES SHOWN ARE IN INCHES ONLY.

09-2329/A

Nidec Motor Corporation
St. Louis, Missouri

INFORMATION DISCLOSED ON THIS DOCUMENT IS CONSIDERED PROPRIETARY AND SHALL NOT BE REPRODUCED OR DISCLOSED WITHOUT WRITTEN CONSENT OF NIDEC MOTOR CORPORATION



ISSUED BY
R. PATIL
APPROVED BY
J. LOZANO

IHP_DP_NMCA (MAR-2011) SOLIDEDGE