

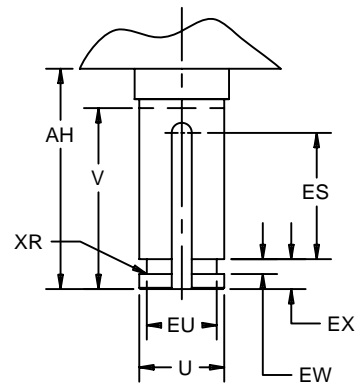
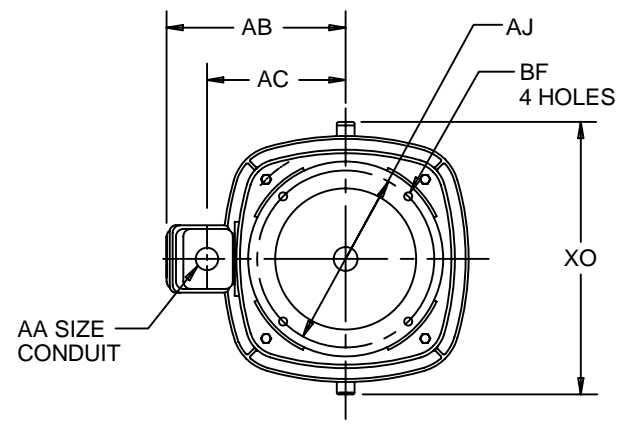
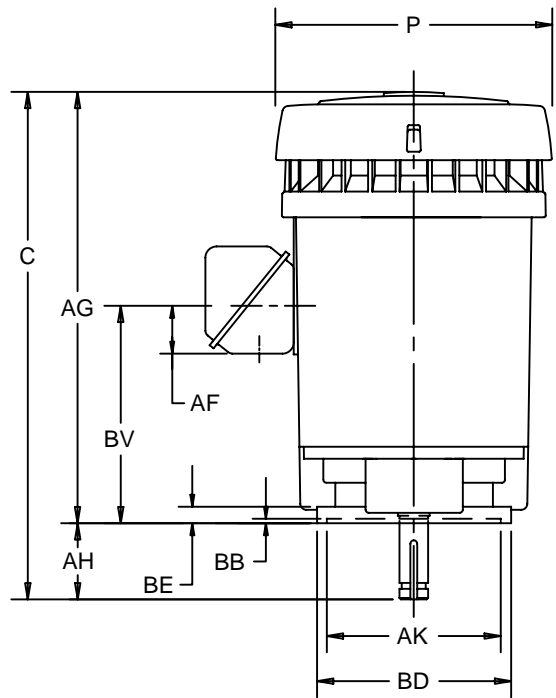
EFFECTIVE:
23-MAR-11

VERTICAL MOTORS
WPI TYPE 1
FRAME: 320VP, VPH
BASIC TYPE: RV

PRINT:
09-2332

SUPERSEDES:
18-OCT-01

SHEET:
1 OF 1



DIMENSIONS ARE IN INCHES AND MILLIMETERS

UNITS	C	P ¹	U -.001	V MIN	AA	AB	AC	AF	AG	AH	BV
IN	29.44	18.25	1.625	4.50	3.00	15.75	11.50	3.38	24.94	4.50	13.38
MM	748	464	41.28	114		400	292	86	633	114	340

UNITS	ES MIN	EU -.005	EW +.002	EX -.005	XO	XR	SQ KEY
IN	3.03	1.250	.375	.750	20.94	.03	.375
MM	77	31.75	9.53	19.05	532	1	9.53

FRAME	UNITS	AJ	AK	BB MIN	BD MAX	BE	BF
324,326VP	IN	14.750	13.500	.25	16.50	.69	.69
	MM	374.65	342.90	6	419	18	18
324,326VPH	IN	9.125	8.250	.19	12.00	.94	.44
	MM	231.78	209.55	5	305	24	11

- 1) ALL ROUGH DIMENSIONS MAY VARY BY .25" DUE TO CASTING AND/OR FABRICATION VARIATIONS.
- 2) LARGEST MOTOR WIDTH.
- 3) CONDUIT BOX OPENING MAY BE LOCATED IN STEPS OF 90 DEGREES. STANDARD AS SHOWN WITH CONDUIT OPENING DOWN.
- 4) TOLERANCES SHOWN ARE IN INCHES ONLY.

TOLERANCES	8.250 AK	13.500 AK
FACE RUNOUT	.004 T.I.R.	.007 T.I.R.
PERMISSIBLE ECCENTRICITY OF MOUNTING RABBET	.004 T.I.R.	.007 T.I.R.
PERMISSIBLE SHAFT RUNOUT	.002 T.I.R.	.002 T.I.R.
"AK" DIMENSION	+.003/-0.000	+.005/-0.000

09-2332/A

Nidec Motor Corporation
St. Louis, Missouri

INFORMATION DISCLOSED ON THIS DOCUMENT IS CONSIDERED PROPRIETARY AND SHALL NOT BE REPRODUCED OR DISCLOSED WITHOUT WRITTEN CONSENT OF NIDEC MOTOR CORPORATION



ISSUED BY
R. KING
APPROVED BY
K. POTTER

IHP_DP_NMCA (MAR-2011) SOLIDEDGE