

EFFECTIVE:
03-MAR-11

VERTICAL MOTORS

WPI

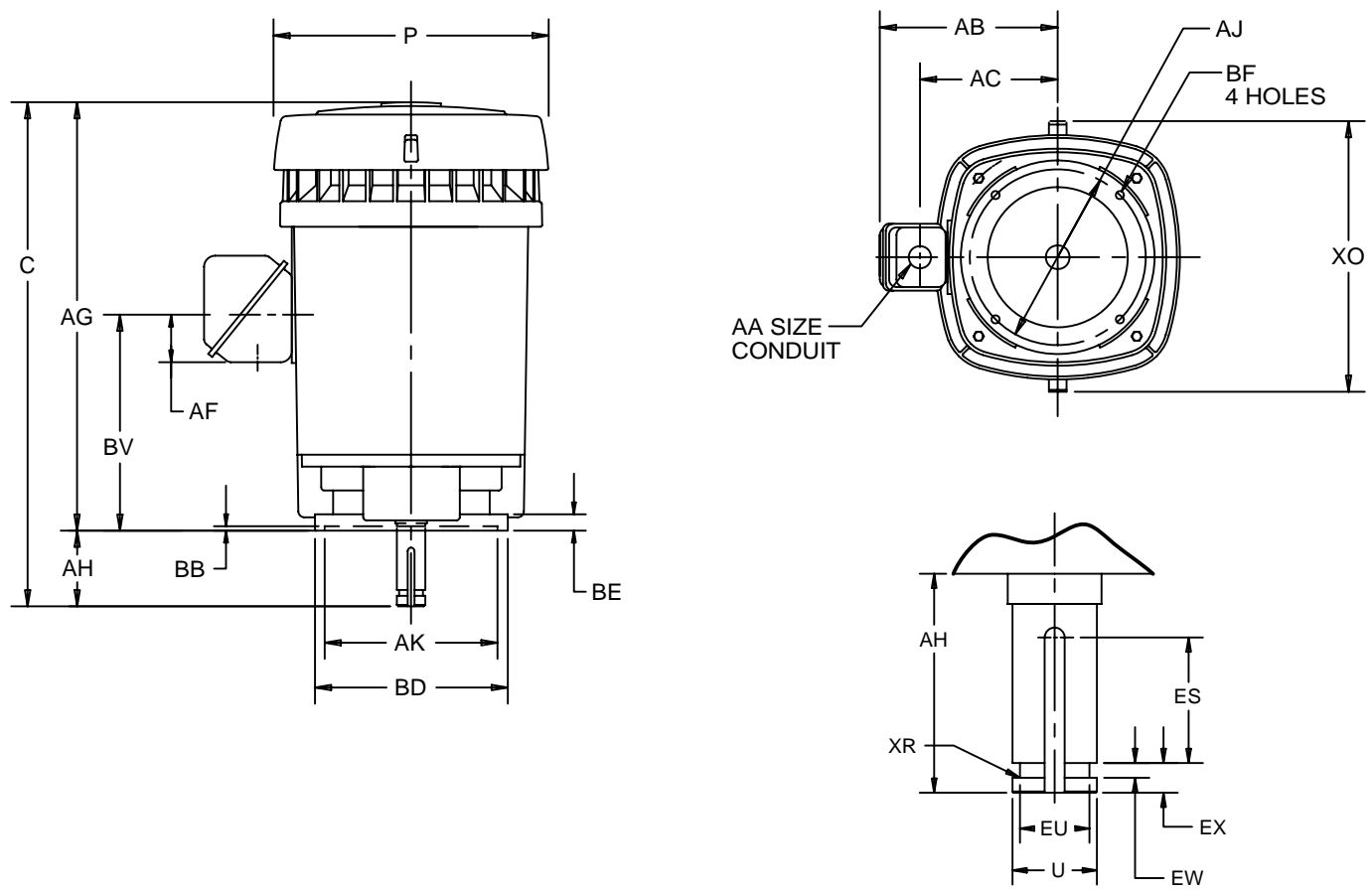
FRAME: 404VP THRU 405VPAZ

BASIC TYPE: RV

PRINT:
09-2334

SUPERSEDES:
31-OCT-01

SHEET:
1 OF 1



DIMENSIONS ARE IN INCHES AND MILLIMETERS

UNITS	C	P ¹	AA	AB	AC	AF	AG	AH	AJ	AK +.005	BB MIN
IN	36.25	20.50	3.00	16.84	12.63	3.38	31.75	4.50	14.750	13.500	.25
MM	921	521		428	321	86	807	114	374.65	342.90	6

UNITS	BE	BF	BV	DQ	ES MIN	EW +.002	EX -.005	XO	XR
IN	.75	.69	18.13	13.56	3.03	.375	.750	23.38	.03
MM	19	18	461	344	77	9.53	19.05	594	1

FRAME	UNITS	U	EU	SQ	FRAME	UNITS	BD
		-.001	-.005	KEY			MAX
400VP,VPA	IN	1.625	1.250	.375	404,405VP	IN	16.50
	MM	41.28	31.75	9.53	404,405VPZ	MM	419
400VPZ,VPAZ	IN	2.125	1.750	.500	404,405VPA	IN	20.00
	MM	53.98	44.45	12.70	404,405VPAZ	MM	508

- 1) ALL ROUGH DIMENSIONS MAY VARY BY .25" DUE TO CASTING AND/OR FABRICATION VARIATIONS.
- 2) CONDUIT BOX OPENING MAY BE LOCATED IN STEPS OF 90°. STANDARD AS SHOWN WITH CONDUIT OPENING DOWN.
- 3) LARGEST MOTOR WIDTH.
- 4) TOLERANCES SHOWN ARE IN INCHES ONLY.

TOLERANCES	
FACE RUNOUT	.007 T.I.R.
PERMISSIBLE ECCENTRICITY OF MOUNTING RABBET	.007 T.I.R.
PERMISSIBLE SHAFT RUNOUT	.002 T.I.R.

09-2334/B

Nidec Motor Corporation
St. Louis, Missouri

INFORMATION DISCLOSED ON THIS DOCUMENT IS CONSIDERED PROPRIETARY AND SHALL NOT BE REPRODUCED OR DISCLOSED WITHOUT WRITTEN CONSENT OF NIDEC MOTOR CORPORATION



ISSUED BY
R. KING
APPROVED BY
K. POTTER

IHP_DP_NMCA (MAR-2011) SOLIDEDGE