

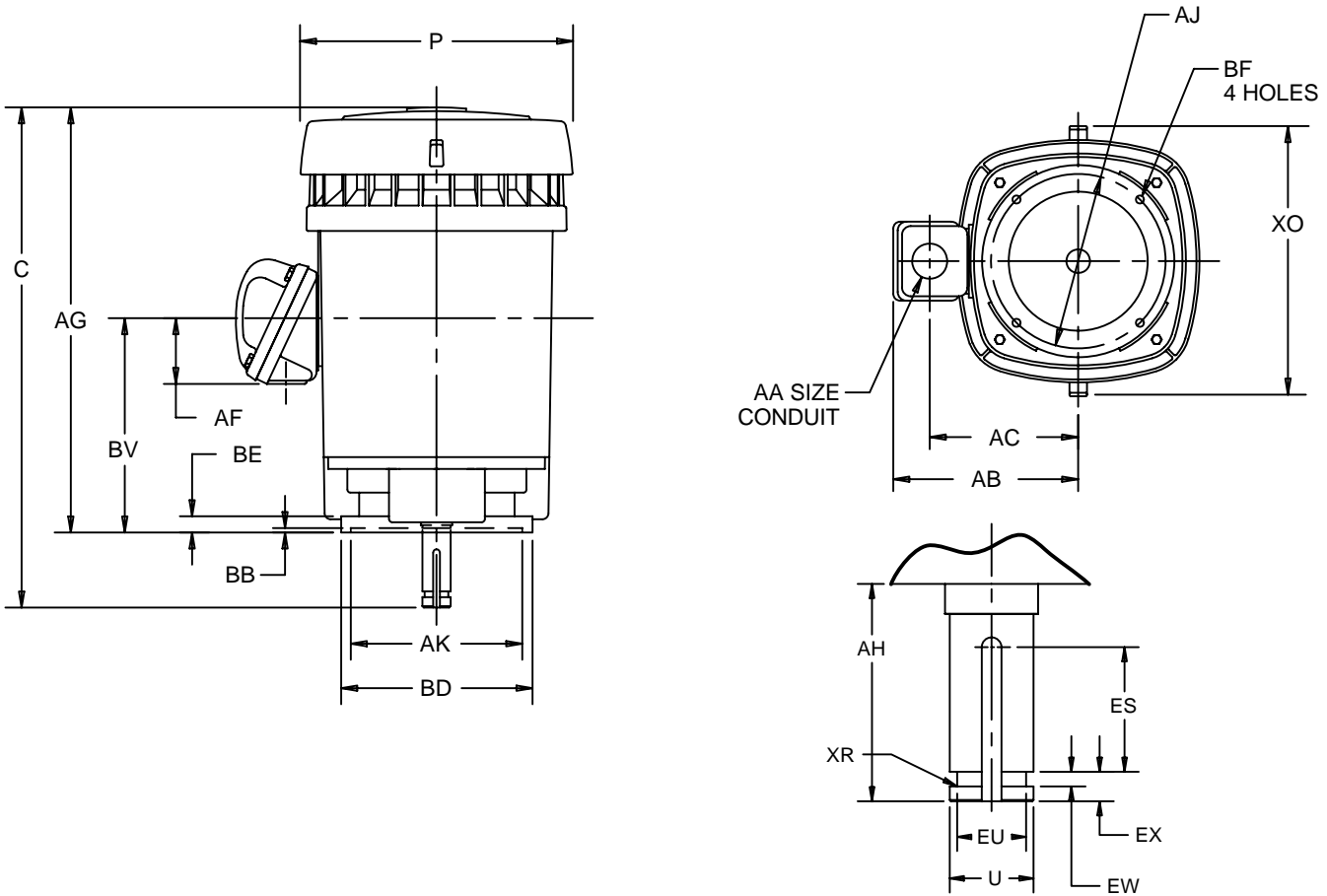
EFFECTIVE:
28-MAR-11

VERTICAL MOTORS
WEATHER PROTECTED TYPE 1
FRAME: 444, 445VP, VPA
BASIC TYPE: RV

PRINT:
09-2335

SUPERSEDES:
01-FEB-10

SHEET:
1 OF 1



DIMENSIONS ARE IN INCHES AND MILLIMETERS

UNITS	C	P ²	U -.001	AG	AH	AJ	AK +.005	BB MIN	BE
IN	41.50	23.13	2.125	37.00	4.50	14.750	13.500	.25	.75
MM	1054	588	53.98	940	114	374.65	342.90	6	19

UNITS	BF	BV	ES MIN	EU -.005	EW +.002	EX -.005	XO	XR	SQ KEY
IN	.69	21.19	3.03	1.750	.375	.750	25.88	.03	.500
MM	18	538	77	44.45	9.53	19.05	657	1	12.70

CONDUIT BOX MATERIAL	UNITS	AA	AB	AC	AF
STEEL	IN	3.00	18.94	14.44	4.72
	MM		481	367	120
CAST IRON	IN	3 1/2 NPT	18.56	14.31	5.28
	MM		471	363	134

FRAME	UNITS	BD MAX
444, 445VP	IN	16.50
	MM	419
444, 445VPA	IN	20.00
	MM	508

1. ALL ROUGH DIMENSIONS MAY VARY BY .25" DUE TO CASTING AND/OR FABRICATION VARIATIONS.
2. LARGEST MOTOR WIDTH.
3. CONDUIT OPENINGS MAY BE LOCATED IN STEPS OF 90 DEGREES REGARDLESS OF LOCATION. STANDARD AS SHOWN WITH CONDUIT OPENING DOWN.
4. TOLERANCES SHOWN ARE IN INCHES ONLY.

TOLERANCES	
FACE RUNOUT	.007 T.I.R.
PERMISSIBLE ECCENTRICITY OF MOUNTING RABBET	.007 T.I.R.
PERMISSIBLE SHAFT RUNOUT	.002 T.I.R.
SPECIAL SHAFT RUNOUT (WHEN SPECIFIED)	.001 T.I.R.

09-2335/C

Nidec Motor Corporation
St. Louis, Missouri

INFORMATION DISCLOSED ON THIS DOCUMENT IS CONSIDERED PROPRIETARY AND SHALL NOT BE REPRODUCED OR DISCLOSED WITHOUT WRITTEN CONSENT OF NIDEC MOTOR CORPORATION



ISSUED BY
R. KING
APPROVED BY
J. O'BRIEN

IHP_DP_NMCA (MAR-2011) SOLIDEDGE