

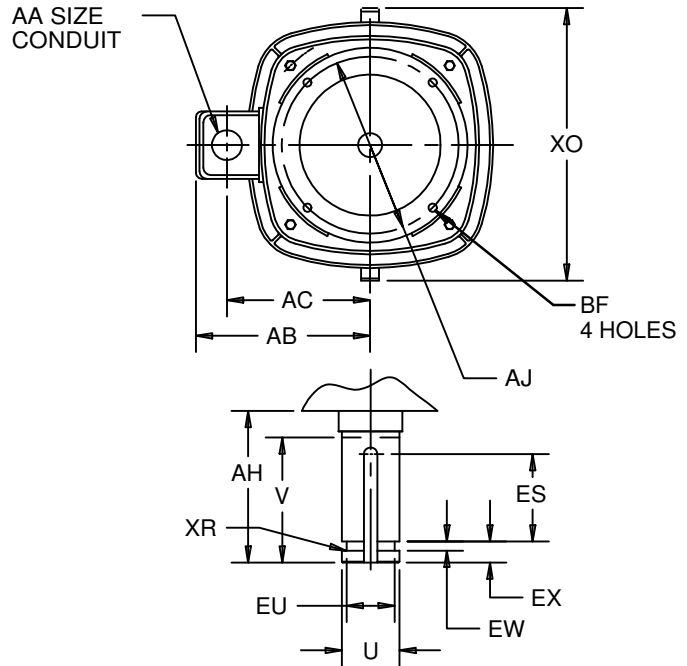
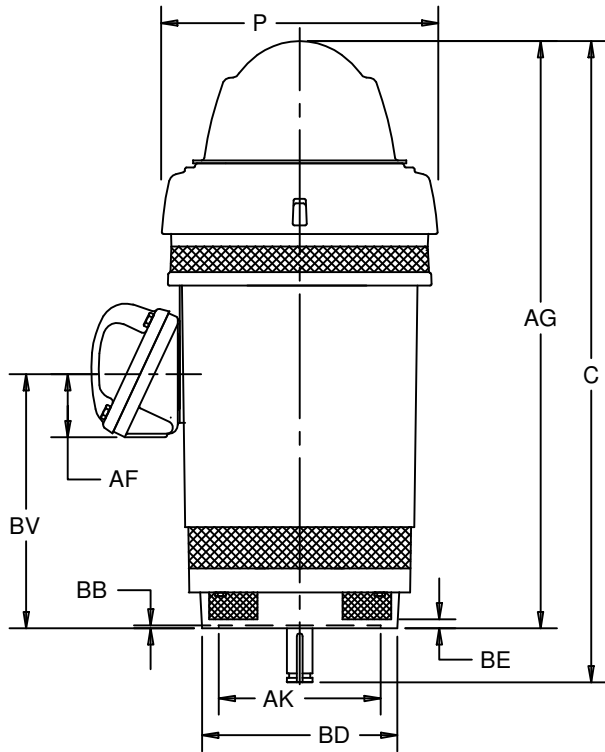
EFFECTIVE:
20-JUL-11

VERTICAL MOTORS
WEATHER PROTECTED TYPE I
FRAME: 364VP THRU 365VPAZ
BASIC TYPE: RV-4

PRINT:
09-2337

SUPERSEDES:
22-FEB-11

SHEET:
1 OF 1



ALL DIMENSIONS ARE IN INCHES & MILLIMETERS

UNITS	C	P ²	V MIN	AG	AH	BE	BV	EW +.002	EX -.005	XO	XR
IN	40.06	18.38	4.50	35.56	4.50	.69	14.00	.375	.750	21.00	.03
mm	1018	467	114	903	114	18	356	9.53	19.05	533	.8

FRAME	UNITS	U -.001	AJ	AK	BB MIN	BD MAX	BF	ES MIN	EU -.005	SQ KEY
364,365VP	IN	1.625	14.750	13.500	.25	16.50	.69	3.16	1.250	.375
	mm	41.28	374.65	342.90	6	419	18	80	31.75	9.53
364,365VPA	IN	1.625	9.125	8.250	.19	12.00	.44	3.16	1.250	.375
	mm	41.28	231.78	209.55	5	305	11	80	31.75	9.53
364,365VPZ	IN	2.125	14.750	13.500	.25	16.50	.69	3.09	1.750	.500
	mm	53.98	374.65	342.90	6	419	18	78	44.45	12.70
364,365VPAZ	IN	2.125	9.125	8.250	.19	12.00	.44	3.09	1.750	.500
	mm	53.98	231.78	209.55	5	305	11	78	44.45	12.70

UNITS	CONDUIT BOX MATERIAL	AA	AB	AC	AF
IN	STEEL	3.00	15.75	11.50	3.38
mm			400	292	86
IN	CAST IRON	3 NPT	16.50	12.19	4.63
mm			419	310	118

TOLERANCES	8.250 AK	13.500 AK
"AK" DIMENSION	+.003;-.000	+.005;-.000
FACE RUNOUT	.004 T.I.R.	.007 T.I.R.
PERMISSIBLE ECCENTRICITY OF MOUNTING RABBET	.004 T.I.R.	.007 T.I.R.
PERMISSIBLE SHAFT RUNOUT	.002 T.I.R.	.002 T.I.R.

1: ALL ROUGH DIMENSIONS MAY VARY BY .25" DUE TO CASTING AND/OR FABRICATION VARIATIONS.
2: LARGEST MOTOR WIDTH.

3: CONDUIT OPENINGS MAY BE LOCATED IN STEPS OF 90° REGARDLESS OF LOCATION. STANDARD AS SHOWN WITH CONDUIT OPENING DOWN.
4: TOLERANCES SHOWN ARE IN INCHES ONLY.

09-2337/C

Nidec Motor Corporation
St. Louis, Missouri

INFORMATION DISCLOSED ON THIS DOCUMENT IS CONSIDERED PROPRIETARY AND SHALL NOT BE REPRODUCED OR DISCLOSED WITHOUT WRITTEN CONSENT OF NIDEC MOTOR CORPORATION



ISSUED BY
E. WENDT
APPROVED BY
K. POTTER

IHP_DP_NMCA (MAR-2011) SOLIDEDGE