

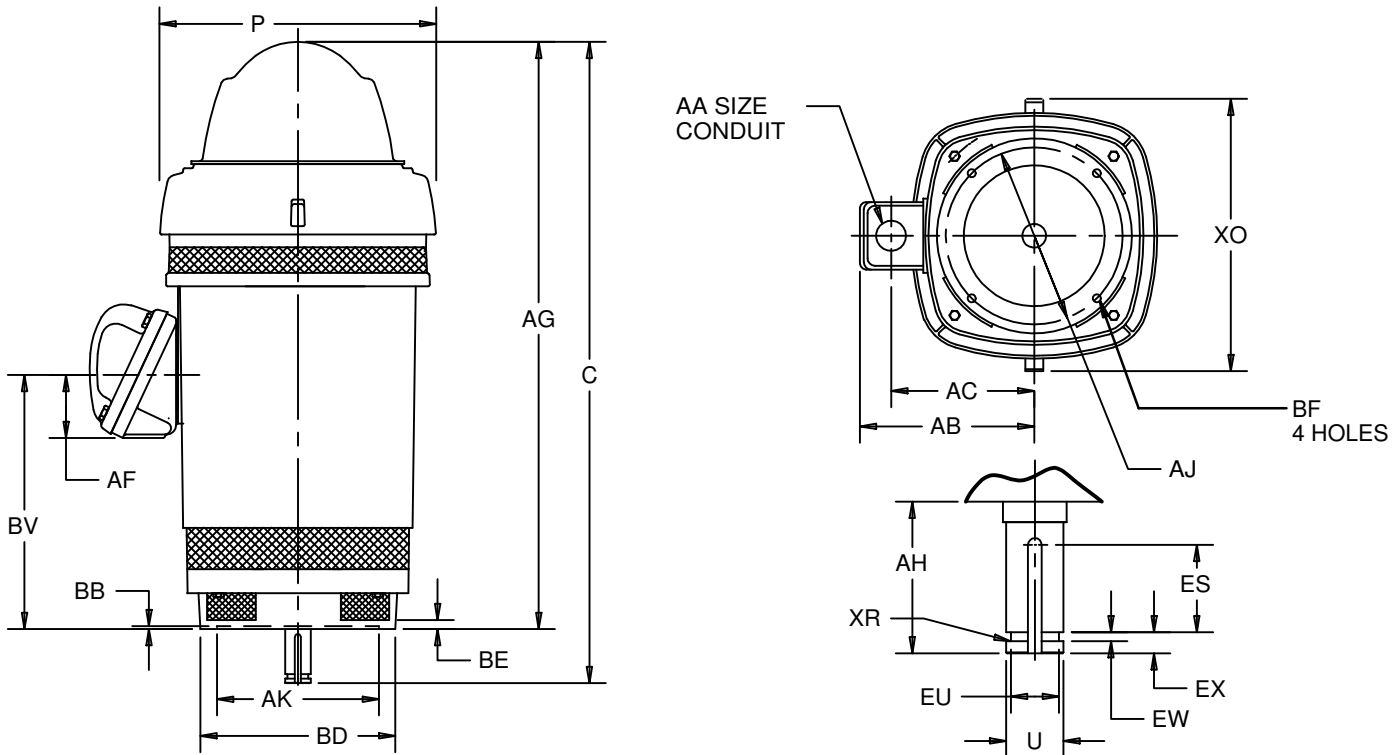
EFFECTIVE:
20-JUL-11

SUPERSEDES:
22-FEB-11

VERTICAL MOTORS
WEATHER PROTECTED TYPE1
FRAME: 404VP THRU 405VPAZ
BASIC TYPE: RV-4

PRINT:
09-2338

SHEET:
1 OF 1



ALL DIMENSIONS ARE IN INCHES AND MILLIMETERS

UNITS	C	P ²	AG	AH	BE	BV	EW +.002	EX -.005	XO	XR
IN	47.19	23.25	42.69	4.50	.75	18.13	.375	.750	24.13	.03
mm	1199	591	1084	114	19	461	9.53	19.05	613	1

FRAME	UNITS	U -.001	AJ	AK +.005	BB MIN	BD MAX	BF	ES MIN	EU -.005	SQ KEY
404,405VP	IN	1.625	14.750	13.500	.25	16.50	.69	3.03	1.250	.375
	mm	41.28	374.65	342.90	6	419	18	77	31.75	9.53
404,405VPA	IN	1.625	14.750	13.500	.25	20.00	.69	3.03	1.250	.375
	mm	41.28	374.65	342.90	6	508	18	77	31.75	9.53
404,405VPZ	IN	2.125	14.750	13.500	.25	16.50	.69	3.03	1.750	.500
	mm	53.98	374.65	342.90	6	419	18	77	44.45	12.70
404,405VPAZ	IN	2.125	14.750	13.500	.25	20.00	.69	3.03	1.750	.500
	mm	53.98	374.65	342.90	6	508	18	77	44.45	12.70

UNITS	CONDUIT BOX MATERIAL	AA	AB	AC	AF
IN	STEEL	3.00	16.88	12.63	3.38
mm			429	321	86
IN	CAST IRON	3 NPT	17.63	13.31	4.63
mm			448	338	118

TOLERANCES	
FACE RUNOUT	.007 T.I.R.
PERMISSIBLE ECCENTRICITY OF MOUNTING RABBET	.007 T.I.R.
PERMISSIBLE SHAFT RUNOUT	.002 T.I.R.

1: ALL ROUGH DIMENSIONS MAY VARY BY .25" DUE TO CASTING AND/OR FABRICATION VARIATIONS.
2: LARGEST MOTOR WIDTH.

3: CONDUIT OPENINGS MAY BE LOCATED IN STEPS OF 90° REGARDLESS OF LOCATION. STANDARD AS SHOWN WITH CONDUIT OPENING DOWN.

4: TOLERANCES SHOWN ARE IN INCHES ONLY.

