

EFFECTIVE:  
21-AUG-12

# VERTICAL MOTORS

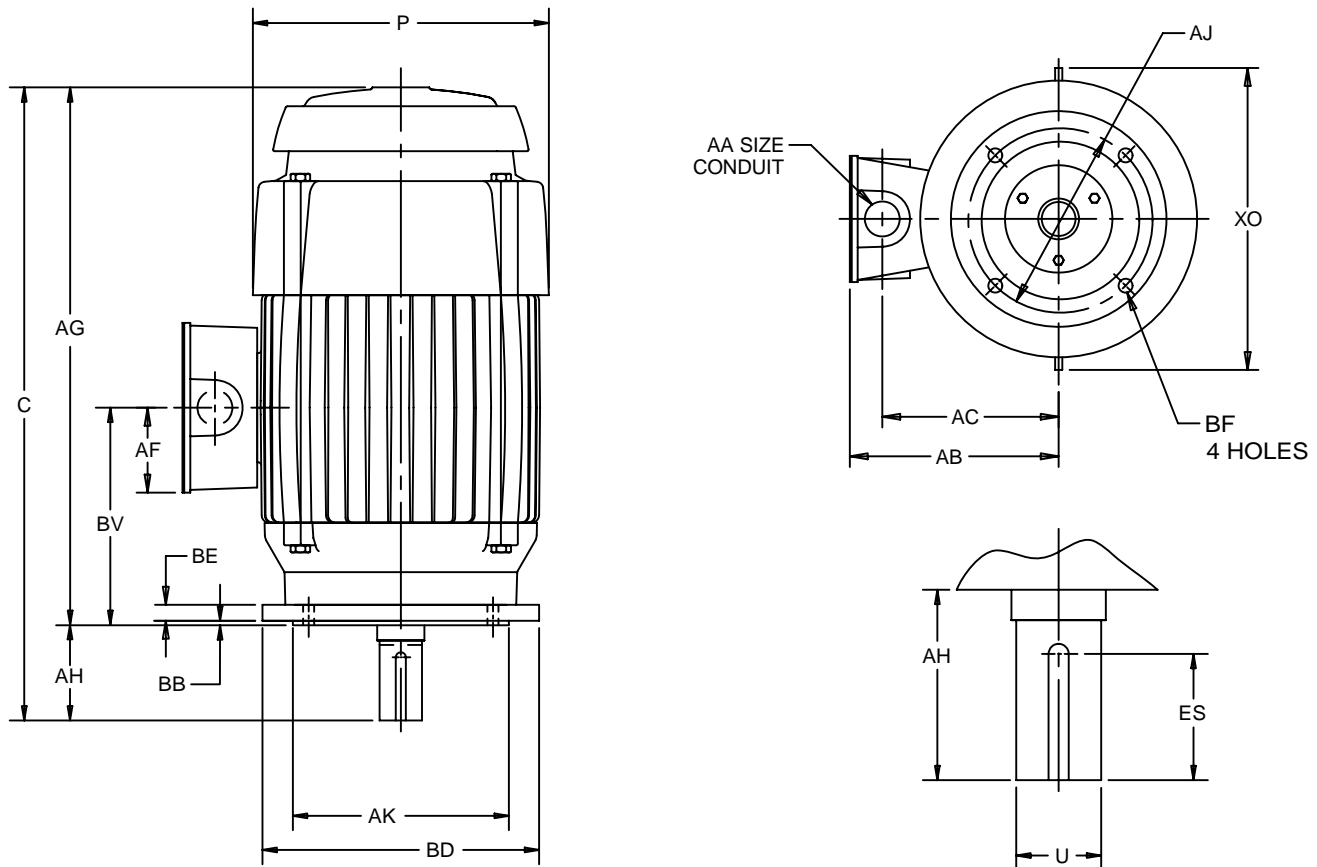
## TOTALLY ENCLOSED FAN COOLED

PRINT:  
09-2342

SUPERSEDES:  
31-JUL-12

FRAME: 182, 184TCV  
BASIC TYPE: TV

SHEET:  
1 OF 1



ALL DIMENSIONS ARE IN INCHES AND MILLIMETERS

UNITS	U -.001	AA	AH	AJ	AK -.003	BB MIN	BD MAX	BF <sup>4</sup>	ES MIN	SQ KEY
IN	1.1250	1.00	2.63	7.250	8.500	.25	9.00	1/2-13 X .75	1.78	.250
MM	28.575		67	184.15	215.90	6	229		45	6.35

TYPE	UNITS	C	P <sup>2</sup>	AB	AC	AF	AG	BE	BV	XO
TV, TVE	IN	19.16	9.50	7.31	6.16	2.63	16.53	.69	6.25	11.94
	MM	487	241	186	156	67	420	18	159	303
TVI, TVS	IN	21.13	11.13	7.88	6.63	3.19	18.50	1.00	8.06	13.13
	MM	536	283	200	168	81	470	25	205	334

1. ALL ROUGH DIMENSIONS MAY VARY BY .25" DUE TO CASTING AND/OR FABRICATION VARIATIONS.
2. LARGEST MOTOR WIDTH.
3. CONDUIT OPENINGS MAY BE LOCATED IN STEPS OF 90 DEGREES REGARDLESS OF LOCATION. STANDARD AS SHOWN WITH CONDUIT OPENING DOWN.
4. TAP SIZE AND BOLT PENETRATION ALLOWANCE.
5. ALL TAPPED HOLES ARE UNIFIED NATIONAL COARSE, RIGHT HAND THREAD.
6. TOLERANCES SHOWN ARE IN INCHES ONLY.

TOLERANCES	
FACE RUNOUT	.004 T.I.R.
PERMISSIBLE ECCENTRICITY OF MOUNTING RABBET	.004 T.I.R.
PERMISSIBLE SHAFT RUNOUT	.002 T.I.R.

09-2342/C

**Nidec Motor Corporation**  
St. Louis, Missouri

INFORMATION DISCLOSED ON THIS DOCUMENT IS CONSIDERED PROPRIETARY AND SHALL NOT BE REPRODUCED OR DISCLOSED WITHOUT WRITTEN CONSENT OF NIDEC MOTOR CORPORATION



ISSUED BY  
**R. KING**  
APPROVED BY  
**J. O'BRIEN**

IHP\_DP\_NMCA (MAR-2011) SOLIDEDGE