

EFFECTIVE:
21-AUG-12

SUPERSEDES:
01-AUG-11

VERTICAL MOTORS

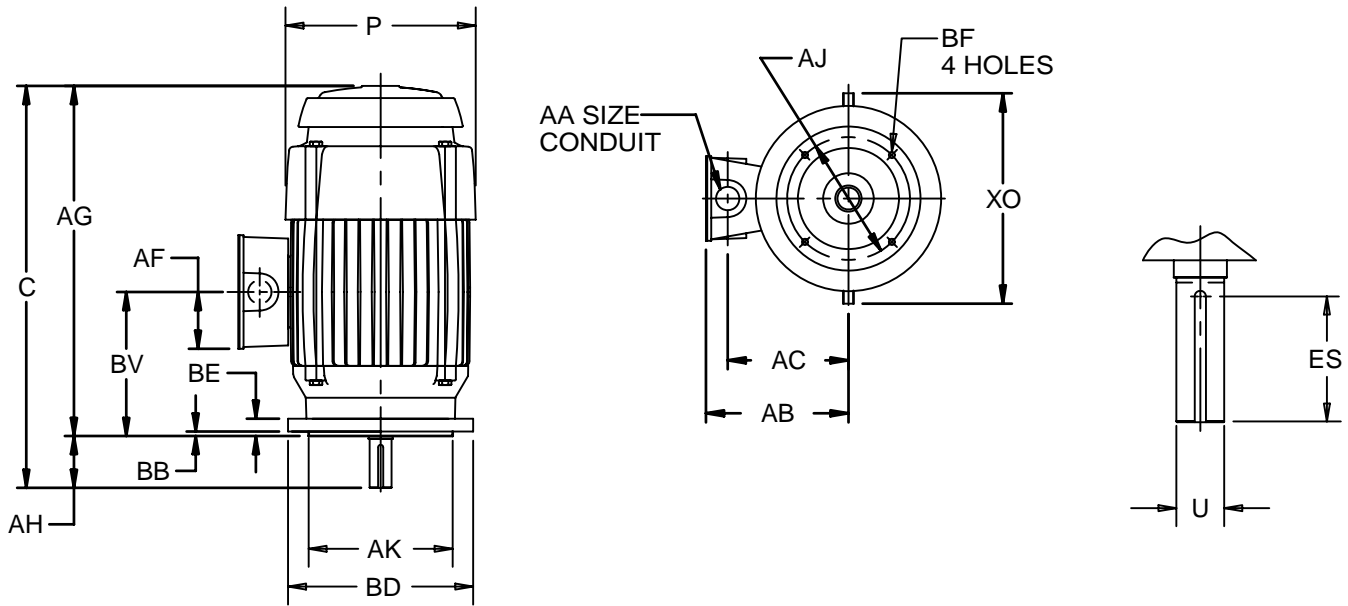
TEFC

FRAME: 213, 215TCV

BASIC TYPE: TV

PRINT:
09-2343

SHEET:
1 OF 1



ALL DIMENSIONS ARE IN INCHES AND MILLIMETERS

UNITS	C	P ²	U -.0005	AA	AB	AC	AF	AG	AH ±.062
IN	21.63	11.13	1.3750	1.00	7.88	6.61	3.19	18.50	3.125
MM	549	283	34.925		200	168	81	470	79.38

UNITS	AJ	AK +.003	BB MIN	BD MAX	BE	BF ⁵	BV	ES MIN	XO	SQ KEY
IN	7.250	8.500	.25	9.00	1.00	1/2-13 x .75	8.06	2.41	13.13	.313
MM	184.15	215.90	6	229	25		205	61	334	7.95

- 1: ALL ROUGH CASTING DIMENSIONS MAY VARY BY .25" DUE TO CASTING AND/OR FABRICATION VARIATIONS.
- 2: LARGEST MOTOR WIDTH.
- 3: CONDUIT OPENING MAY BE LOCATED IN STEPS OF 90°. STANDARD AS SHOWN WITH CONDUIT OPENING DOWN.
- 4: TOLERANCES SHOWN ARE IN INCHES.
- 5: TAP SIZE AND BOLT PENETRATION ALLOWANCE.
- 6: ALL TAPPED HOLES ARE UNIFIED NATIONAL COARSE, RIGHT HAND THREAD.

TOLERANCES	
FACE RUNOUT	.004 T.I.R.
PERMISSIBLE ECCENTRICITY OF MOUNTING RABBET	.004 T.I.R.
PERMISSIBLE SHAFT RUNOUT	.002 T.I.R.

09-2343/B

Nidec Motor Corporation
St. Louis, Missouri

INFORMATION DISCLOSED ON THIS DOCUMENT IS CONSIDERED PROPRIETARY AND SHALL NOT BE REPRODUCED OR DISCLOSED WITHOUT WRITTEN CONSENT OF NIDEC MOTOR CORPORATION



ISSUED BY
R. KING
APPROVED BY
J. O'BRIEN

IHP_DP_NMCA (MAR-2011) SOLIDEDGE