

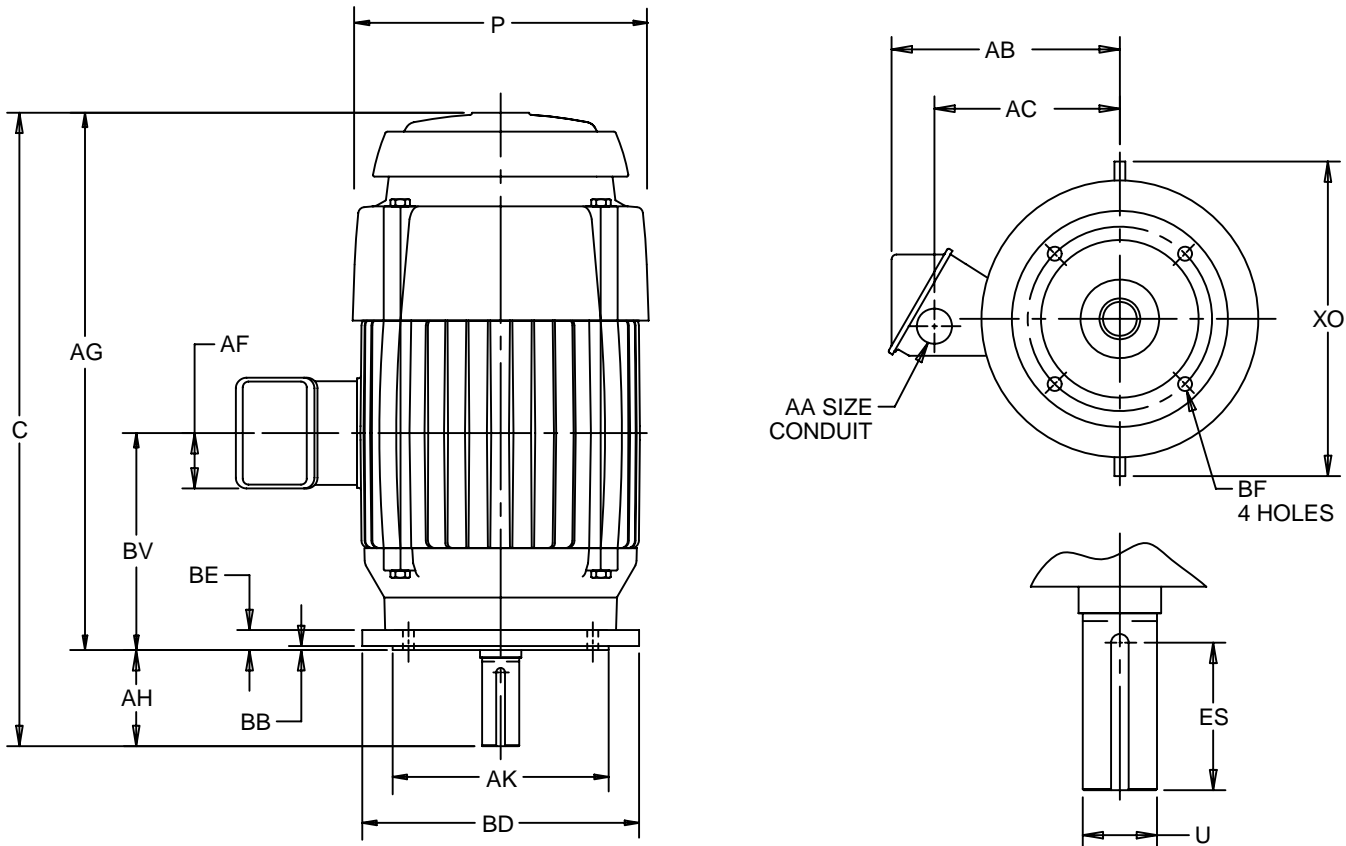
EFFECTIVE:
21-AUG-12

VERTICAL MOTORS
TOTALLY ENCLOSED FAN COOLED
FRAME: 254, 256TCV
BASIC TYPE: TV

PRINT:
09-2344

SUPERSEDES:
01-AUG-11

SHEET:
1 OF 1



ALL DIMENSIONS ARE IN INCHES AND MILLIMETERS

UNITS	C	P ²	U ¹	AA	AB	AC	AF	AG	AH ⁵	AJ	AK
IN	28.19	13.38	1.625	1.25	10.25	7.88	2.03	24.44	3.75	7.250	8.500
MM	716	340	41.28		260	200	52	621	95	184.15	215.90

UNITS	BB ³	BD ²	BE	BF ²	BV	ES ⁴	XO	SQ KEY
IN	.25	10.00	1.00	1/2-13 x .75	14.13	2.91	16.00	.375
MM	6	254	25		359	74	406	9.53

1: ALL ROUGH DIMENSIONS MAY VARY BY .25" DUE TO CASTING AND/OR FABRICATION VARIATIONS.
2: LARGEST MOTOR WIDTH.
3: TOLERANCES SHOWN ARE IN INCHES ONLY.

4: CONDUIT OPENINGS MAY BE LOCATED IN STEPS OF 180 DEGREES REGARDLESS OF LOCATION. STANDARD AS SHOWN WITH CONDUIT OPENING DOWN.
5: DIMENSION MEASURED WITH MOTOR IN VERTICAL POSITION SHAFT DOWN.

TOLERANCES	
FACE RUNOUT	.004 T.I.R.
PERMISSIBLE ECCENTRICITY OF MOUNTING RABBET	.004 T.I.R.
PERMISSIBLE SHAFT RUNOUT	.002 T.I.R.

09-2344/B

Nidec Motor Corporation
St. Louis, Missouri

INFORMATION DISCLOSED ON THIS DOCUMENT IS CONSIDERED PROPRIETARY AND SHALL NOT BE REPRODUCED OR DISCLOSED WITHOUT WRITTEN CONSENT OF NIDEC MOTOR CORPORATION



ISSUED BY
R. KING
APPROVED BY
J. O'BRIEN

IHP_DP_NMCA (MAR-2011) SOLIDEDGE