

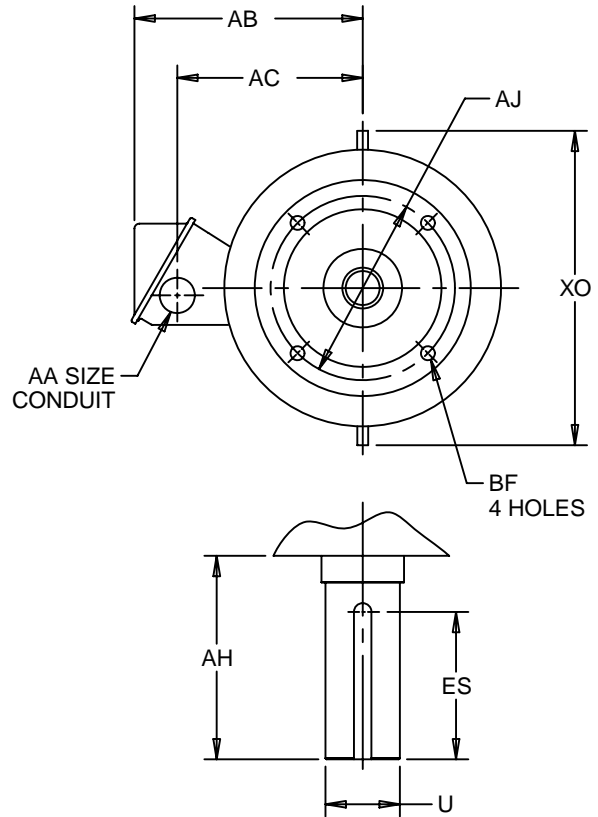
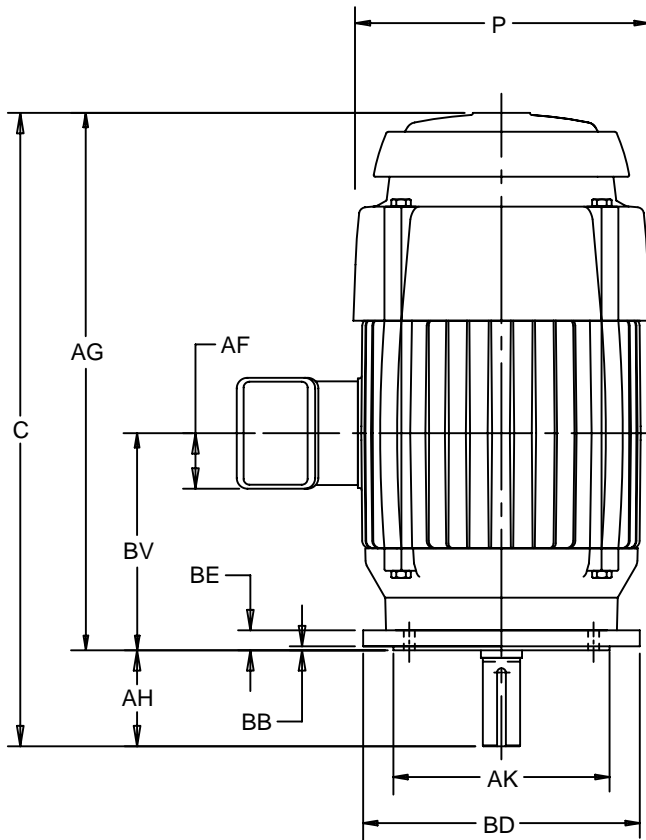
EFFECTIVE:  
21-AUG-12

SUPERSEDES:  
01-AUG-11

**VERTICAL MOTORS**  
TOTALLY ENCLOSED FAN COOLED  
FRAME: 284, 286TCV  
BASIC TYPE: TV

PRINT:  
09-2345

SHEET:  
1 OF 1



ALL DIMENSIONS ARE IN INCHES AND MILLIMETERS

UNITS	C	P <sup>5</sup>	U -.001	AA	AB	AC	AF	AG	AH <sup>5</sup>	AJ	AK -.003
IN	31.06	13.38	1.875	1.50	11.06	8.31	2.59	26.69	4.38	9.000	10.500
MM	789	340	47.63		281	211	66	678	111	228.60	266.70

UNITS	BB MIN	BD MAX	BE	BF <sup>2</sup>	BV	ES MIN	XO	SQ KEY
IN	.25	11.25	1.00	1/2 13 x .75	16.38	3.28	16.00	.500
MM	6	286	25		416	83	406	12.70

- 1: ALL ROUGH DIMENSIONS MAY VARY BY .25" DUE TO CASTING AND/OR FABRICATION VARIATIONS.
- 2: LARGEST MOTOR WIDTH.
- 3: TOLERANCES SHOWN ARE IN INCHES ONLY.
- 4: CONDUIT OPENINGS MAY BE LOCATED IN STEPS OF 180 DEGREES REGARDLESS OF LOCATION. STANDARD AS SHOWN WITH CONDUIT OPENING DOWN.
- 5: DIMENSION MEASURED WITH MOTOR IN VERTICAL POSITION SHAFT DOWN.

TOLERANCES	
FACE RUNOUT	.004 T.I.R.
PERMISSIBLE ECCENTRICITY OF MOUNTING RABBET	.004 T.I.R.
PERMISSIBLE SHAFT RUNOUT	.002 T.I.R.

09-2345/B

**Nidec Motor Corporation**  
St. Louis, Missouri

INFORMATION DISCLOSED ON THIS DOCUMENT IS CONSIDERED PROPRIETARY AND SHALL NOT BE REPRODUCED OR DISCLOSED WITHOUT WRITTEN CONSENT OF NIDEC MOTOR CORPORATION



ISSUED BY  
**R. KING**  
APPROVED BY  
**J. O'BRIEN**

IHP\_DP\_NMCA (MAR-2011) SOLIDEDGE