

EFFECTIVE:
01-AUG-11

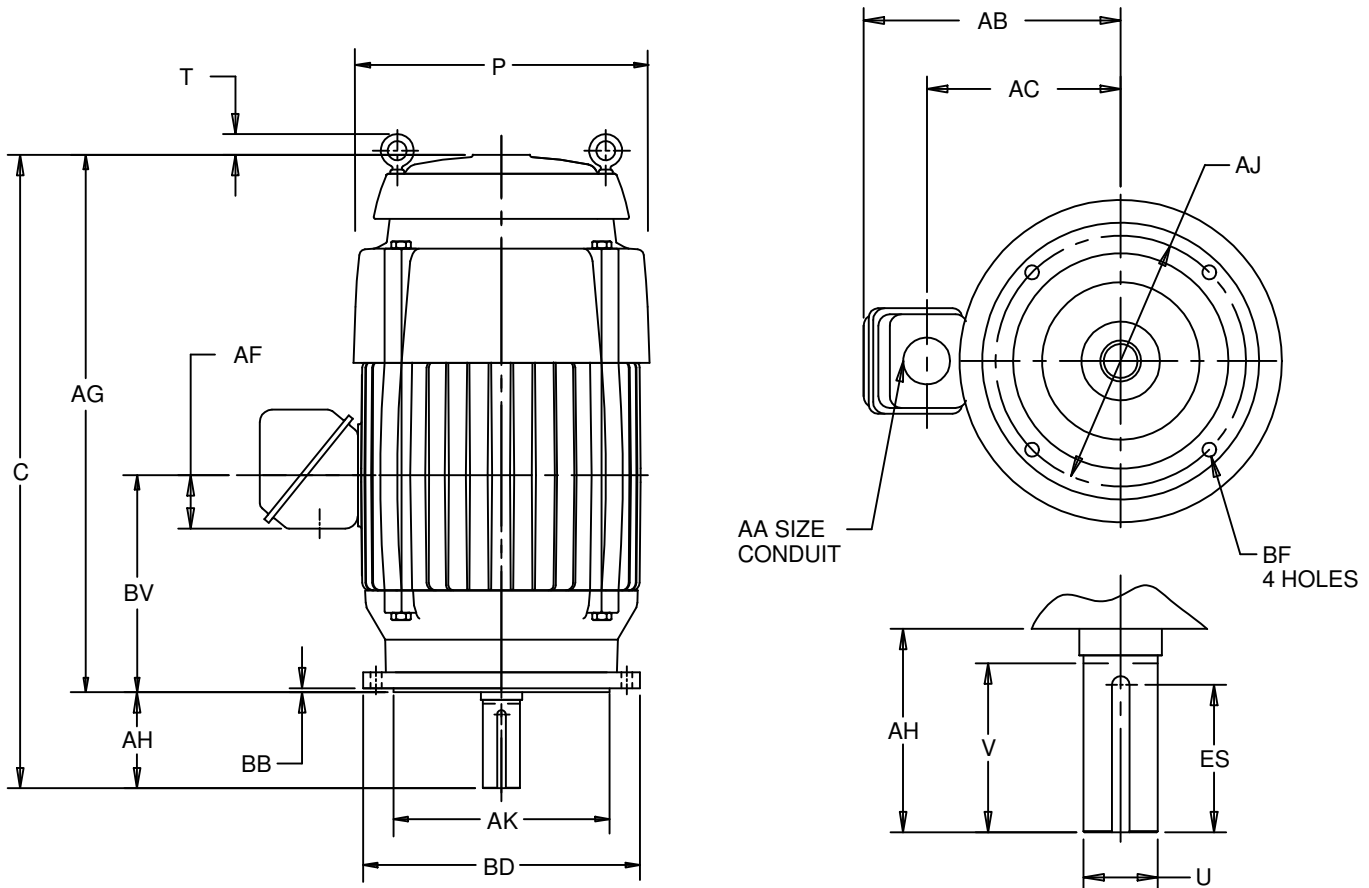
VERTICAL MOTORS
TOTALLY ENCLOSED FAN COOLED

PRINT:
09-2346

SUPERSEDES:
22-APR-02

FRAME: 324, 326TCV
BASIC TYPE: TV

SHEET:
1 OF 1



ALL DIMENSIONS ARE IN INCHES AND MILLIMETERS

UNITS	C	P ⁵	T	U -.001	V MIN	AA	AB	AC	AF	AG	AH ³	AJ	AK -.003
IN	34.75	17.00	.88	2.125	5.00	2.00	13.88	10.75	3.25	29.75	5.00	11.000	12.500
MM	883	432	22	53.98	127		353	273	83	756	127	279.40	317.50

UNITS	BB MIN	BD MAX	BF ²	BV	ES MIN	SQ KEY
IN	.25	14.00	5/8 11 x .94	11.50	3.91	.500
MM	6	356		292	99	12.70

- 1: ALL ROUGH DIMENSIONS MAY VARY BY .25" DUE TO CASTING AND/OR FABRICATION VARIATIONS.
- 2: LARGEST MOTOR WIDTH.
- 3: TOLERANCES SHOWN ARE IN INCHES ONLY.
- 4: CONDUIT OPENINGS MAY BE LOCATED IN STEPS OF 90 DEGREES REGARDLESS OF LOCATION. STANDARD AS SHOWN WITH CONDUIT OPENING DOWN.
- 5: DIMENSION MEASURED WITH MOTOR IN VERTICAL POSITION SHAFT DOWN.

TOLERANCES	
FACE RUNOUT	.007 T.I.R.
PERMISSIBLE ECCENTRICITY OF MOUNTING RABBET	.007 T.I.R.
PERMISSIBLE SHAFT RUNOUT	+.003

09-2346/B

Nidec Motor Corporation
St. Louis, Missouri

INFORMATION DISCLOSED ON THIS DOCUMENT IS CONSIDERED PROPRIETARY AND SHALL NOT BE REPRODUCED OR DISCLOSED WITHOUT WRITTEN CONSENT OF NIDEC MOTOR CORPORATION



ISSUED BY
E. WENDT
APPROVED BY
K. POTTER

IHP_DP_NMCA (MAR-2011) SOLIDEDGE