

EFFECTIVE:

21-JUL-11

VERTICAL MOTORS

TOTALLY ENCLOSED FAN COOLED

PRINT:

09-2349

SUPERSEDES:

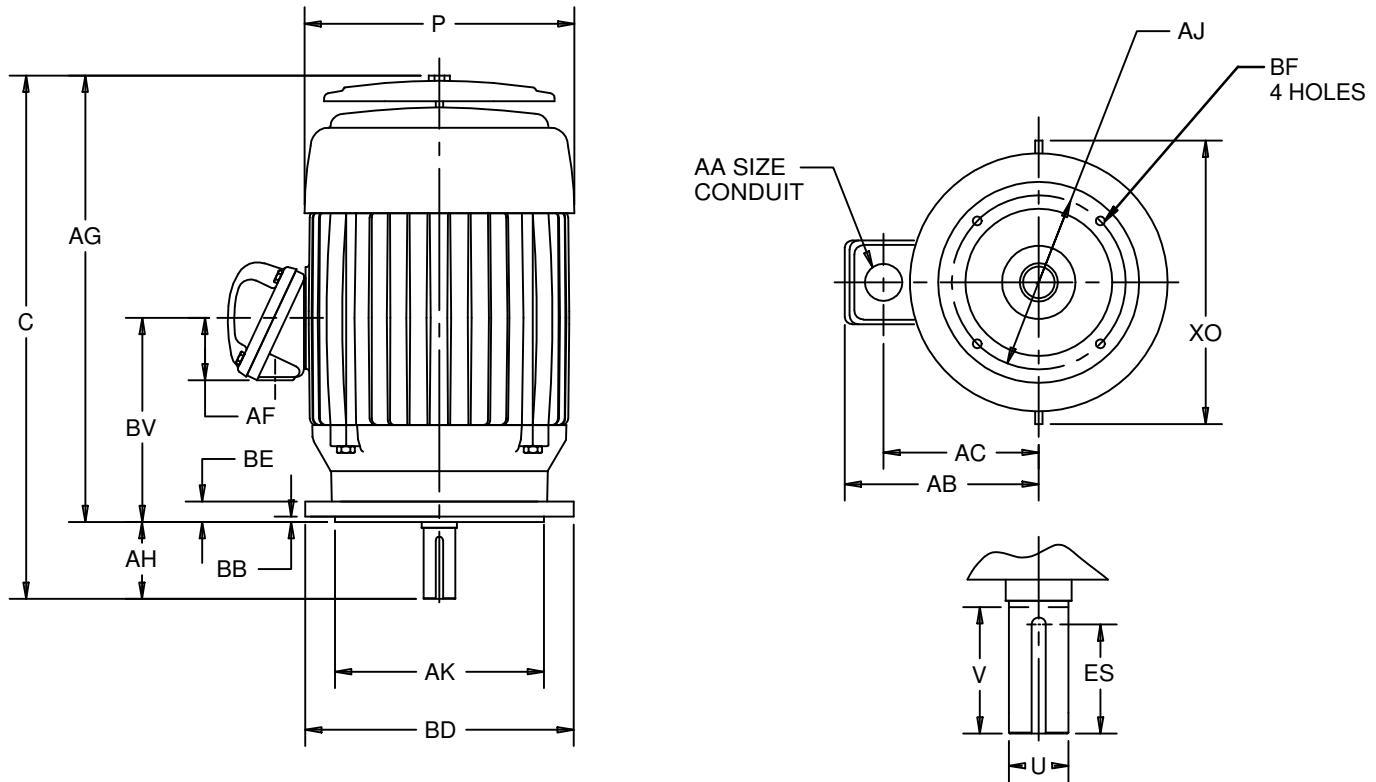
21-JAN-02

FRAME: 182, 184TC, TCV

SHEET:

1 OF 1

BASIC TYPE: CE, TC



ALL DIMENSIONS ARE IN INCHES AND MILLIMETERS

UNITS	C	P ⁴	U -.0005	V MIN	AA	AB	AC	AF	AG	AH ⁵	AJ	AK -.003
IN	17.50	9.50	1.1250	2.56	3/4 NPT	8.06	5.75	2.13	14.63	2.63	7.250	8.500
mm	445	241	28.575	65		205	146	54	372	67	184.15	215.90

UNITS	BB MAX	BD MAX	BE	BF ²	BV	ES MIN	XO	SQ KEY
IN	.25	9.00	.59	3/8 16 X .75	5.13	1.78	11.63	.250
mm	6	229	15		130	45	295	6.35

TOLERANCES

FACE RUNOUT	.004 T.I.R.
PERMISSIBLE ECCENTRICITY OF MOUNTING RABBET	.004 T.I.R.
PERMISSIBLE SHAFT RUNOUT	.002 T.I.R.
FOR SPECIAL SHAFT RUNOUT	.001 T.I.R.

1: ALL ROUGH DIMENSIONS MAY VARY BY .25"
DUE TO CASTING AND/OR FABRICATION VARIATIONS.
2: TAP SIZE AND BOLT PENETRATION ALLOWANCE

3: CONDUIT OPENING MAY BE LOCATED IN STEPS
OF 90 DEGREES REGARDLESS OF LOCATION.
STANDARD AS SHOWN WITH CONDUIT OPENING DOWN.

4: LARGEST MOTOR WIDTH.

5: DIMENSION MEASURED WITH MOTOR IN VERTICAL
POSITION SHAFT DOWN.

6: TOLERANCES SHOWN ARE IN INCHES ONLY.

09-2349/A

Nidec Motor Corporation
St. Louis, Missouri

INFORMATION DISCLOSED ON THIS DOCUMENT
IS CONSIDERED PROPRIETARY AND SHALL NOT BE
REPRODUCED OR DISCLOSED WITHOUT WRITTEN
CONSENT OF NIDEC MOTOR CORPORATION



ISSUED BY

E. WENDT

APPROVED BY

K. POTTER

IHP_DP_NMCA (MAR-2011) SOLIDEDGE